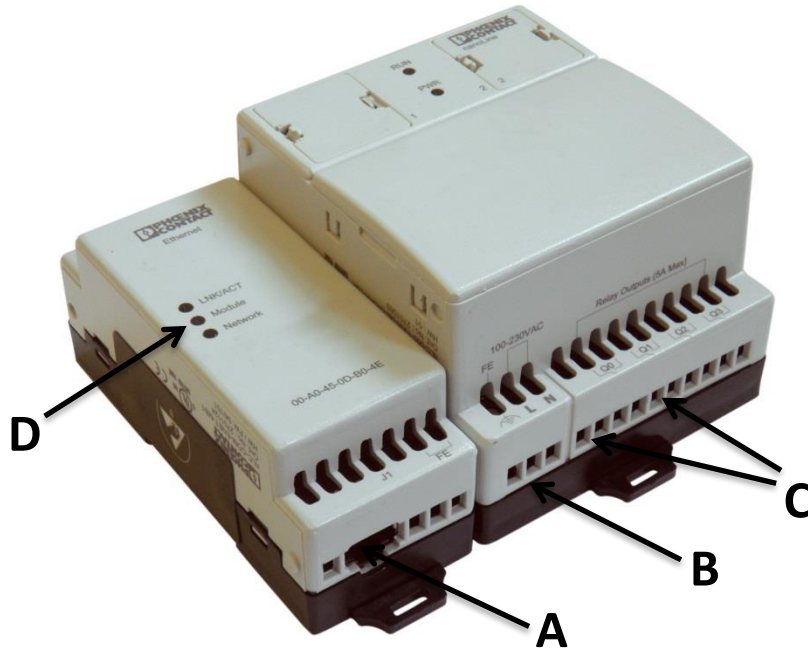


# TST5107 Aalto Control Relay Output Module

## Installation Guide



**Note!** This product may only be installed or maintained by a qualified electrician.

**TST5107** is a module which enables the Aalto system to control a relay-based device, such as an alarm device or an indicator light.

<b>A)</b>	Ethernet cable (RJ45)
<b>B)</b>	Current in 100-230 VAC
<b>C)</b>	Relay outputs (Default=Normally Open), Max 5 A, 230 V AC / 24 V DC
<b>D)</b>	Module status LEDs

### Installing the Module

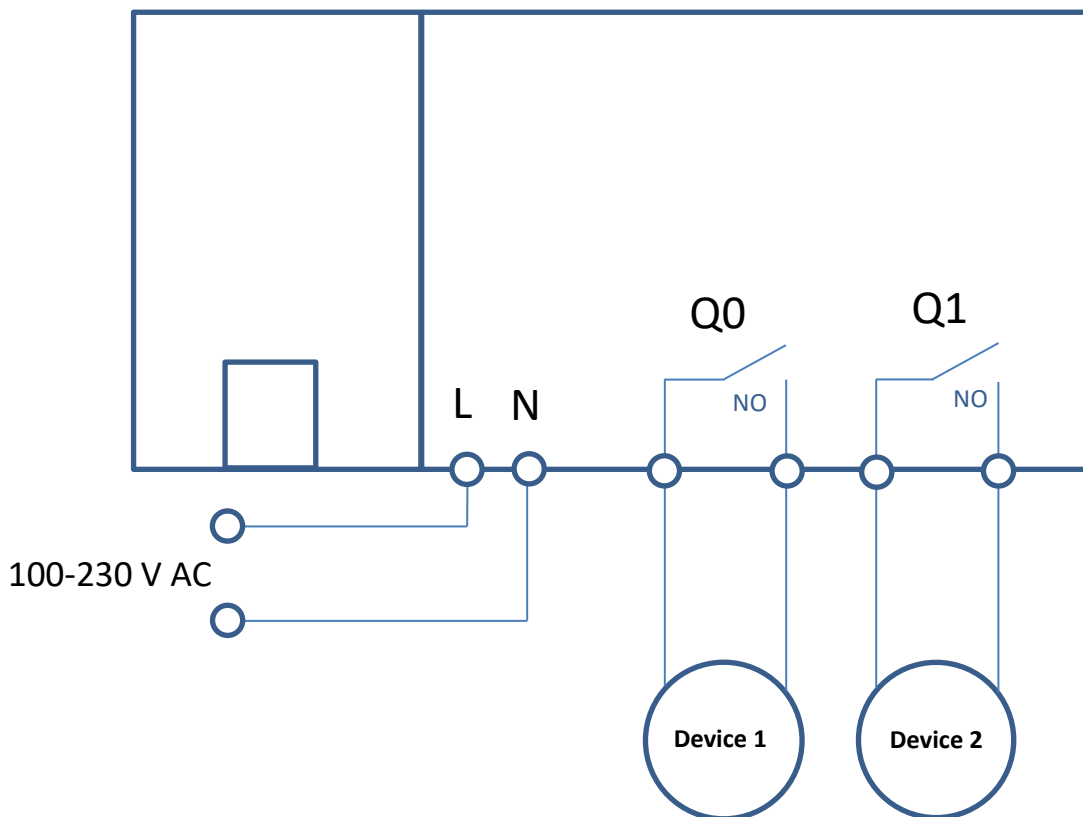
1. Attach the TST5107 module in a secure location.
2. Connect the relay outputs to the devices according to the example diagram on the next page (**C** in the image).
3. Connect the module to the network with an Ethernet cable (**A** in the image)
4. Connect the module's supply cable (**B** in the image).
5. Change the IP address of the module using the PC software, delivered on a separate USB drive, if necessary. The default IP of the device is 172.22.9.16.
6. Once the module is connected, open the Aalto Control software, and add the module to the system as an Alarm relay from the Reports view. Add the module using the IP address of the module. Assign a luminaire, or a group of luminaires to the module, to define which warnings shall activate **Device 2**.

For more information about installing the module to the Aalto Control software, see the Aalto Control User's Guide, chapter 3.3, part 7 (can also be accessed by clicking the **Help** button, or the **F1** button from the software).

**Relay 1 (Q0)** closes, if a network failure between the module and the Aalto Control system occurs.

**Relay 2 (Q1)** closes, if a luminaire, or a group of luminaires (defined in the Aalto Control software) generate(s) an error.

**Note!** Relays **Q2** and **Q3** are not in use!



**Figure: Connection diagram**