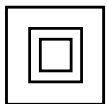
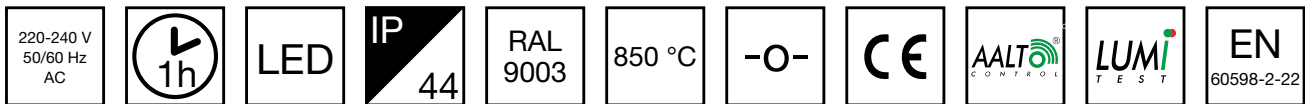


# ZONESPOT II LOWBAY EMERGENCY LIGHT Y9252WA



## Self-contained 1 h Battery, Aalto Control compatible, LED emergency light (Individually packed TWT9252WA)

The Zonespot II Lowbay is a surface-mounted emergency light that is particularly suitable for low spaces. The luminaire's optics are designed to provide a broad, uniform light pattern that illuminates open areas effectively.

Thanks to the IP44 enclosure class, the Zonespot II is also suitable for damp areas. The luminaire is easy and quick to install thanks to a separate mounting base, which is also connected to the power supply.

|                                     |                           |
|-------------------------------------|---------------------------|
| Product Code                        | Y9252WA                   |
| Feature                             | Aalto Control, Lumi Test  |
| Mounting (standard)                 | surface                   |
| Mounting (optional)                 | pendel                    |
| Customs Code                        | 94056080                  |
| GTIN Code                           | 6438045016979             |
| ETIM Product Class                  | EC001957                  |
| Length                              | 185 mm                    |
| Width                               | 185 mm                    |
| Height                              | 52 mm                     |
| Weight                              | 0,8 kg                    |
| Backup                              | 1 h                       |
| Max Input Power VA                  | 3 VA                      |
| Nominal Supply Voltage              | 220-240 V, 50/60 Hz AC    |
| Protection Class                    | II                        |
| IP Class                            | IP44                      |
| Temperature Range Min - Max         | 0...+35 °C                |
| Glow Wire Test of Plastic Materials | 850 °C                    |
| Light Source                        | LED                       |
| Body Material                       | plastic                   |
| Colour                              | RAL9003                   |
| Electrical Installation             | 2/3 x 2,5 mm <sup>2</sup> |
| Luminous Flux                       | 255 lm                    |

## Emergency lighting for escape routes (ceiling mounting)

Table of 1 lux for escape routes in the middle line according to the norm EN 1838.

Level of measurement 0,02 m, measurement result with battery operation.

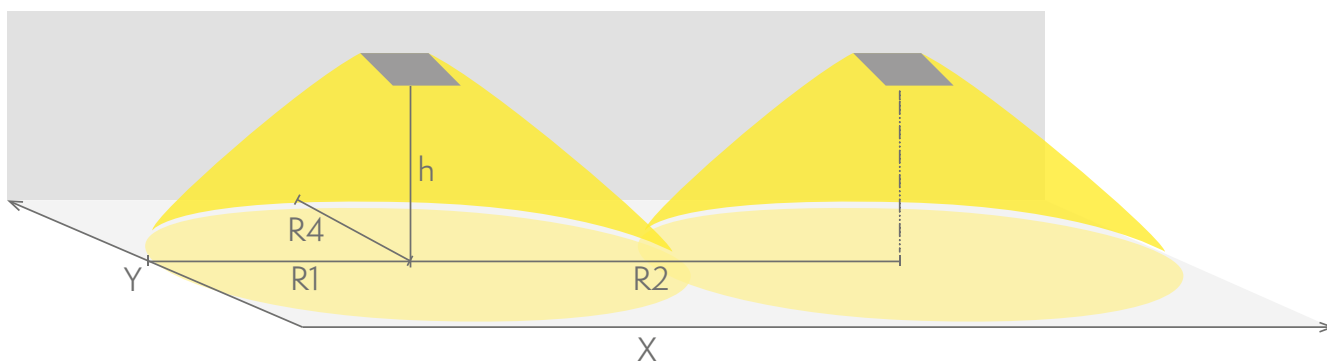
We reserve the rights to make modifications without notice.

Copyright © 2024 Teknoware. All rights reserved.

Date: August 14, 2024 | Source: [teknoware.com/en/emergency-lighting-1/zonespot-ii-lowbay-emergency-light-y9252wa](https://www.teknoware.com/en/emergency-lighting-1/zonespot-ii-lowbay-emergency-light-y9252wa)



Teknoware Oy | P.O. Box 19, 15101 Lahti | Ilmarisentie 8, 15200 Lahti Finland  
Tel +358 3 883 020 | VAT-number FI01494751 | [teknoware.com](https://www.teknoware.com) | [emexit@teknoware.com](mailto:emexit@teknoware.com)



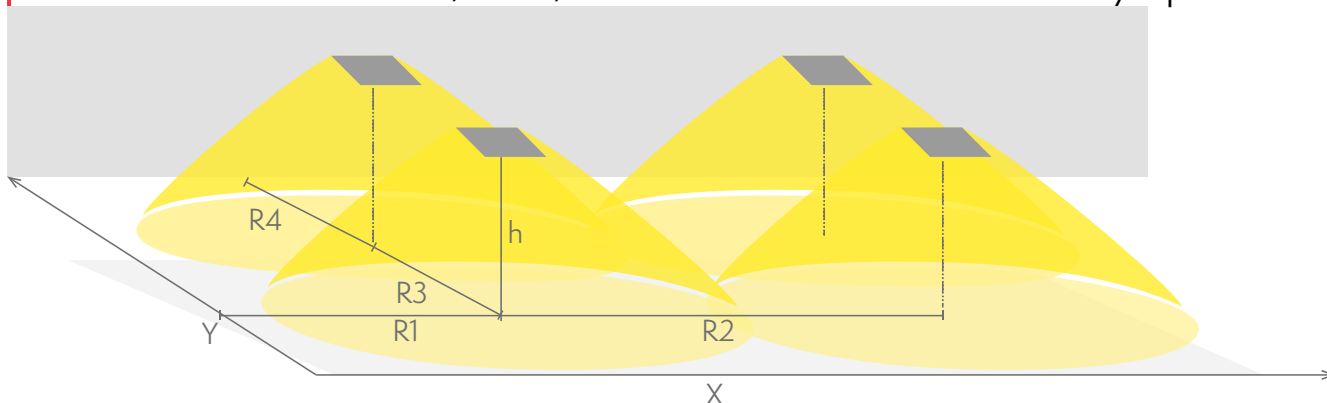
- R1 distance from wall (X axis)
- R2 installation distance between lights (X axis)
- R4 distance from wall (Y axis)

Y9252WA

| Mounting height (m) | Below the light lux | R1 (m) | R2 (m) | R4 (m) |
|---------------------|---------------------|--------|--------|--------|
|                     |                     | 1 lux  | 1 lux  | 1 lux  |
| 2,5                 | 4,3                 | 5      | 11     | 5      |
| 4                   | 1,7                 | 4      | 14     | 4      |

## Emergency lighting for open areas (ceiling mounting)

- Table of 0,5 lux for open areas according to the norm EN 1838, 0,5 m edge district is considered in the table.
- Level of measurement 0,02 m, measurement result with battery operation.



- R1 distance from wall (X axis)
- R2 installation distance between lights (X axis)
- R3 installation distance between lights (Y axis)
- R4 distance from wall (Y axis)

Y9252WA

| Mounting height (m) | Below the light lux | R1 (m)  | R2 (m)  | R3 (m)  | R4 (m)  |
|---------------------|---------------------|---------|---------|---------|---------|
|                     |                     | 0,5 lux | 0,5 lux | 0,5 lux | 0,5 lux |
| 2,5                 | 4,3                 | 5,5     | 10      | 10      | 5,5     |

We reserve the rights to make modifications without notice.  
 Copyright © 2024 Teknoware. All rights reserved.  
 Date: August 14, 2024 | Source: [teknoware.com/en/emergency-lighting-1/zonespot-ii-lowbay-emergency-light-y9252wa](https://www.teknoware.com/en/emergency-lighting-1/zonespot-ii-lowbay-emergency-light-y9252wa)



Teknoware Oy | P.O. Box 19, 15101 Lahti | Ilmarisentie 8, 15200 Lahti Finland  
 Tel +358 3 883 020 | VAT-number FI01494751 | [teknoware.com](https://www.teknoware.com) | [emexit@teknoware.com](mailto:emexit@teknoware.com)

| Mounting height (m) | Below the light lux | R1 (m) | R2 (m) | R3 (m) | R4 (m) |
|---------------------|---------------------|--------|--------|--------|--------|
| 4                   | 1,9                 | 6      | 11     | 11     | 6      |
| 6                   | 1,6                 | 6      | 11     | 11     | 6      |

## OPTIONAL ACCESSORIES:

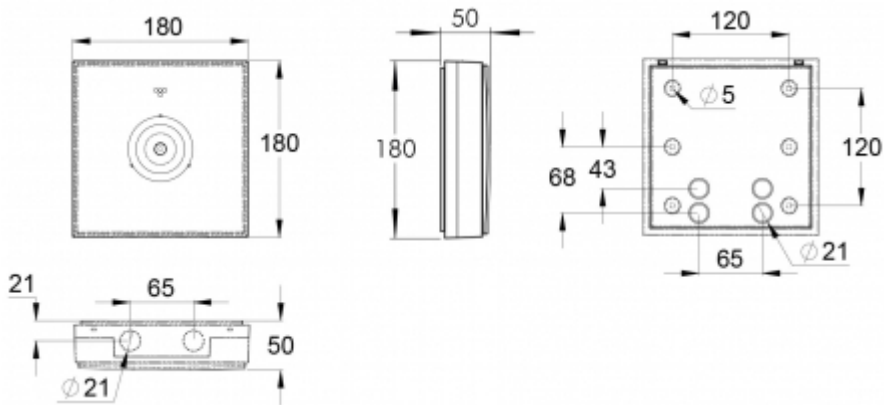
### SHOCK PROTECTING COVERS FOR EMERGENCY LIGHTS



| Product Code | Product Name                    | Compatible Product Groups                                  |
|--------------|---------------------------------|--|
| TW77507B     | Shock protecting cover TW77507B | ESC 10 Emergency Exit Lights, ESC 80 Emergency Exit Lights |

### OPTIONAL MOUNTING ACCESSORIES FOR EMERGENCY LIGHTS

| Product Code | Product Name                | Compatible Product Groups  |
|--------------|-----------------------------|--|
| TWT9202      | Wall bracket TWT9202        | Linespot II: Lowbay, Surface-Mounted Emergency Lights, Zonespot II: Lowbay, Surface-Mounted Emergency Lights, Zonespot II: Midbay, Surface-Mounted Emergency Lights, Safe 29 Emergency Lights, Linespot II: Midbay, Surface-Mounted Emergency Lights, Zonespot II: Highbay, Surface-Mounted Emergency Lights |
| TW77504F     | Suspension bracket TW77504F | Linespot II: Lowbay, Surface-Mounted Emergency Lights, Zonespot II: Lowbay, Surface-Mounted Emergency Lights, Zonespot II: Midbay, Surface-Mounted Emergency Lights, Linespot II: Midbay, Surface-Mounted Emergency Lights, Zonespot II: Highbay, Surface-Mounted Emergency Lights                           |



We reserve the rights to make modifications without notice.  
Copyright © 2024 Teknoware. All rights reserved.  
Date: August 14, 2024 | Source: [teknoware.com/en/emergency-lighting-1/zonespot-ii-lowbay-emergency-light-y9252wa](https://teknoware.com/en/emergency-lighting-1/zonespot-ii-lowbay-emergency-light-y9252wa)

Teknoware Oy | P.O. Box 19, 15101 Lahti | Ilmarisentie 8, 15200 Lahti Finland  
Tel +358 3 883 020 | VAT-number FI01494751 | [teknoware.com](https://teknoware.com) | [emexit@teknoware.com](mailto:emexit@teknoware.com)

