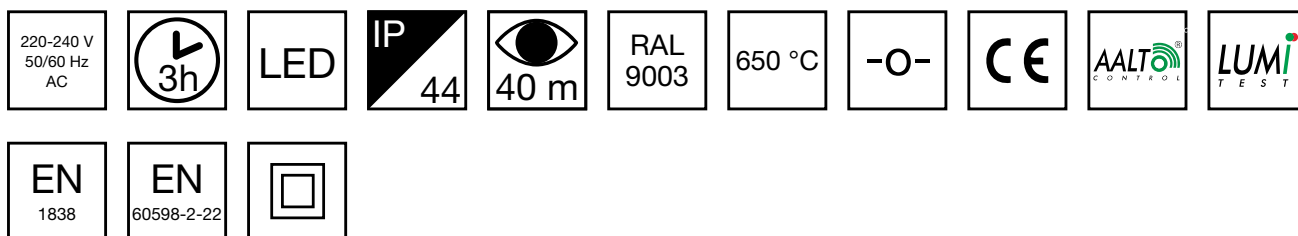


ESC 81 LED EMERGENCY EXIT LIGHT Y8153WA159



Self-contained LED Emergency Exit Light with 3 h Battery and Wireless Central Monitoring, with 1-sided pictogram, arrow down, 40 m viewing distance (Individually packed TWT8153WA)

ESC 81 is an innovative LED exit light equipped with a light plate. It combines cutting edge technology with modern luminaire design.

Evenly illuminated light plates, low power consumption and slender looking luminaires are the result of Teknoware's pioneering, expertise in electronics and product design. Luminaire can be used as 1 or 2 sided, recess and surface mounted.

ESC 81 is particularly easy and fast to install thanks to a separate mounting piece, into which also the power supply is connected.

We reserve the rights to make modifications without notice.

Copyright © 2024 Teknoware. All rights reserved.

Date: August 14, 2024 | Source: [teknoware.com/en/emergency-lighting/esc-81-led-emergency-exit-light-y8153wa159](https://www.teknoware.com/en/emergency-lighting/esc-81-led-emergency-exit-light-y8153wa159)



Teknoware Oy | P.O. Box 19, 15101 Lahti | Ilmarisentie 8, 15200 Lahti Finland
Tel +358 3 883 020 | VAT-number FI01494751 | [teknoware.com](https://www.teknoware.com) | emexit@teknoware.com

Product Code	Y8153WA159
Feature	Aalto Control, Lumi Test
Mounting (standard)	ceiling, wall
Mounting (optional)	recess, flag, pendel
Customs Code	94056080
GTIN Code	6438045016177
ETIM Product Class	EC001957
Length	410 mm
Width	290 mm
Height	46 mm
Weight	2,1 kg
Backup	3 h
Max Input Power VA	4,5 VA
Nominal Supply Voltage	220-240 V, 50/60 Hz AC
Protection Class	II
IP Class	IP44
Temperature Range Min - Max	-5...+30 °C
Glow Wire Test of Plastic Materials	650 °C
Viewing Distance	40 m
Light Source	LED
Body Material	plastic
Aperture for Recess Mounting	53 x 415 mm
Colour	RAL9003
Electrical Installation	2/3 x 2,5 mm ²

OPTIONAL ACCESSORIES:

SHOCK PROTECTING COVERS FOR



We reserve the rights to make modifications without notice.

Copyright © 2024 Teknoware. All rights reserved.

Date: August 14, 2024 | Source: teknoware.com/en/emergency-lighting/esc-81-led-emergency-exit-light-y8153wa159



Teknoware Oy | P.O. Box 19, 15101 Lahti | Ilmarisentie 8, 15200 Lahti Finland
Tel +358 3 883 020 | VAT-number FI01494751 | teknoware.com | emexit@teknoware.com

EMERGENCY LIGHTS

Product Code	Product Name	Compatible Product Groups
TW77510B	Shock protecting cover TW77510B	ESC 10 Emergency Exit Lights, DISCONTINUED: ESC 6L Emergency Exit Lights, ESC 29 Emergency Exit Lights, Safe 29 Emergency Lights, ESC 81 Emergency Exit Lights

OPTIONAL MOUNTING ACCESSORIES FOR EMERGENCY EXIT LIGHTS



Product Code	Product Name	Compatible Product Groups
TWT9000	Suspension bracket TWT9000	ESC 90 Emergency Exit Lights, ESC 80 Emergency Exit Lights, ESC 81 Emergency Exit Lights
TWT8101	Recess mounting frame TWT8101	ESC 81 Emergency Exit Lights
TWT8101B	Recess mounting frame TWT8101B	ESC 81 Emergency Exit Lights
TWT8102	Flag bracket TWT8102	ESC 81 Emergency Exit Lights

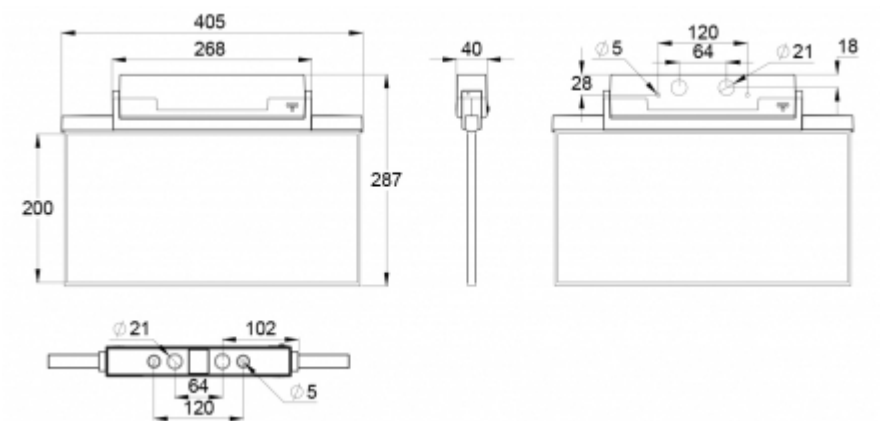
We reserve the rights to make modifications without notice.

Copyright © 2024 Teknoware. All rights reserved.

Date: August 14, 2024 | Source: teknoware.com/en/emergency-lighting/esc-81-led-emergency-exit-light-y8153wa159

Teknoware Oy | P.O. Box 19, 15101 Lahti | Ilmarisentie 8, 15200 Lahti Finland
Tel +358 3 883 020 | VAT-number FI01494751 | teknoware.com | emexit@teknoware.com





We reserve the rights to make modifications without notice.

Copyright © 2024 Teknoware. All rights reserved.

Date: August 14, 2024 | Source: teknoware.com/en/emergency-lighting/esc-81-led-emergency-exit-light-y8153wa159

Teknoware Oy | P.O. Box 19, 15101 Lahti | Ilmarisentie 8, 15200 Lahti Finland
Tel +358 3 883 020 | VAT-number FI01494751 | teknoware.com | emexit@teknoware.com

