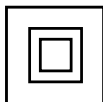
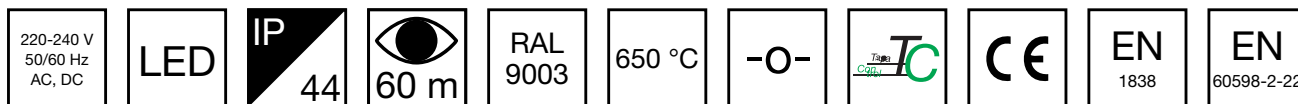


ESC 81 LED EMERGENCY EXIT LIGHT Y8151WK165



Addressable 230 V centrally supplied LED Emergency Exit Light with 2-sided pictogram, arrow down, 60 m viewing distance (Inividually packed TWT8151WK)

ESC 81 is an innovative LED exit light equipped with a light plate. It combines cutting edge technology with modern luminaire design.

Evenly illuminated light plates, low power consumption and slender looking luminaires are the result of Teknoware's pioneering, expertise in electronics and product design. Luminaire can be used as 1 or 2 sided, recess and surface mounted.

ESC 81 is particularly easy and fast to install thanks to a separate mounting piece, into which also the power supply is connected.

We reserve the rights to make modifications without notice.

Copyright © 2024 Teknoware. All rights reserved.

Date: August 14, 2024 | Source: [teknoware.com/en/emergency-lighting/esc-81-led-emergency-exit-light-y8151wk165](https://www.teknoware.com/en/emergency-lighting/esc-81-led-emergency-exit-light-y8151wk165)

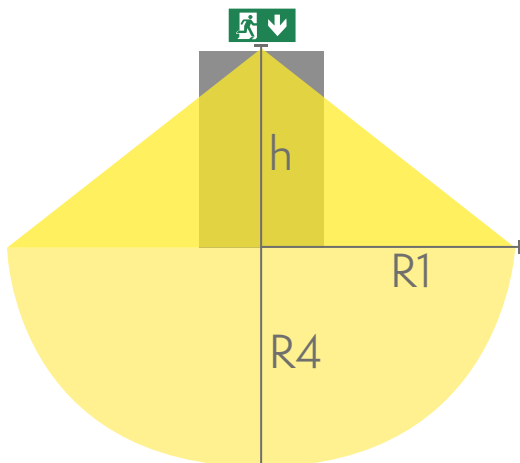


Teknoware Oy | P.O. Box 19, 15101 Lahti | Ilmarisentie 8, 15200 Lahti Finland
Tel +358 3 883 020 | VAT-number FI01494751 | [teknoware.com](https://www.teknoware.com) | emexit@teknoware.com

Product Code	Y8151WK165
Feature	Tapsa Control
Mounting (standard)	ceiling, wall
Mounting (optional)	recess, flag, pendel
Customs Code	94056080
GTIN Code	6438045016405
ETIM Product Class	EC001957
Length	410 mm
Width	390 mm
Height	46 mm
Weight	1,4 kg
Max Input Power VA	6,5 VA
Max Input Power W	4,2 W
Nominal Supply Voltage	220-240 V, 50/60 Hz AC, DC
Protection Class	II
IP Class	IP44
Temperature Range Min - Max	-30...+50 °C
Glow Wire Test of Plastic Materials	650 °C
Viewing Distance	60 m
Light Source	LED
Body Material	plastic
Aperture for Recess Mounting	45 x 415 mm
Colour	RAL9003
Electrical Installation	2/3 x 2,5 mm ²

Downlight chart for Exit Lights

Tables of 1 lux and 0,5 lux, under the Exit Light.
 Level of measurement 0,02 m, measurement result with battery operation.



R1 distance from wall (X axis)
 R4 distance from wall (Y axis)
 Y8151WK165

Mounting height (m)	Below the light lux	R1 (m)	R4 (m)	R1 (m)	R4 (m)
		1 lux	1 lux	0,5 lux	0,5 lux
2	1,5	0,5	1	1,5	2
2,5	0,8			1,5	2

OPTIONAL ACCESSORIES:

SHOCK PROTECTING COVERS FOR EMERGENCY LIGHTS



Product Code	Product Name	Compatible Product Groups
TW77510B	Shock protecting cover TW77510B	ESC 10 Emergency Exit Lights, DISCONTINUED: ESC 6L Emergency Exit Lights, ESC 29 Emergency Exit Lights, Safe 29 Emergency Lights, ESC 81 Emergency Exit Lights

COVER LABELS FOR EMERGENCY EXIT LIGHTS



Product Code	Pictogram	Compatible Product Groups
XWT8106		ESC 81 Emergency Exit Lights

We reserve the rights to make modifications without notice.
 Copyright © 2024 Teknoware. All rights reserved.
 Date: August 14, 2024 | Source: [teknoware.com/en/emergency-lighting/esc-81-led-emergency-exit-light-y8151wk165](https://www.teknoware.com/en/emergency-lighting/esc-81-led-emergency-exit-light-y8151wk165)



Teknoware Oy | P.O. Box 19, 15101 Lahti | Ilmarisentie 8, 15200 Lahti Finland
 Tel +358 3 883 020 | VAT-number FI01494751 | [teknoware.com](https://www.teknoware.com) | emexit@teknoware.com

OPTIONAL MOUNTING ACCESSORIES FOR EMERGENCY EXIT LIGHTS



We reserve the rights to make modifications without notice.
Copyright © 2024 Teknoware. All rights reserved.
Date: August 14, 2024 | Source: teknoware.com/en/emergency-lighting/esc-81-led-emergency-exit-light-y8151wk165

Teknoware Oy | P.O. Box 19, 15101 Lahti | Ilmarisentie 8, 15200 Lahti Finland
Tel +358 3 883 020 | VAT-number FI01494751 | teknoware.com | emexit@teknoware.com

 **TEKNOWARE[®]**

Product Code	Product Name	Compatible Product Groups
TWT9000	Suspension bracket TWT9000	ESC 90 Emergency Exit Lights, ESC 80 Emergency Exit Lights, ESC 81 Emergency Exit Lights
TWT8101	Recess mounting frame TWT8101	ESC 81 Emergency Exit Lights
TWT8102	Flag bracket TWT8102	ESC 81 Emergency Exit Lights

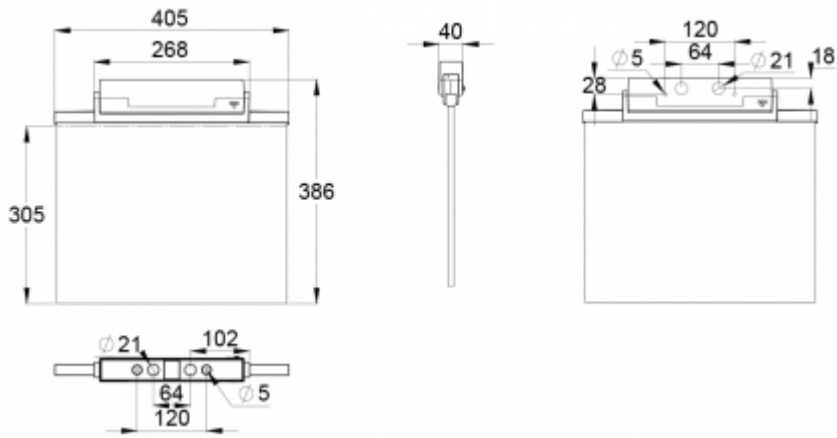
We reserve the rights to make modifications without notice.

Copyright © 2024 Teknoware. All rights reserved.

Date: August 14, 2024 | Source: teknoware.com/en/emergency-lighting/esc-81-led-emergency-exit-light-y8151wk165

Teknoware Oy | P.O. Box 19, 15101 Lahti | Ilmarisentie 8, 15200 Lahti Finland
Tel +358 3 883 020 | VAT-number FI01494751 | teknoware.com | emexit@teknoware.com





We reserve the rights to make modifications without notice.

Copyright © 2024 Teknoware. All rights reserved.

Date: August 14, 2024 | Source: teknoware.com/en/emergency-lighting/esc-81-led-emergency-exit-light-y8151wk165

Teknoware Oy | P.O. Box 19, 15101 Lahti | Ilmarisentie 8, 15200 Lahti Finland
Tel +358 3 883 020 | VAT-number FI01494751 | teknoware.com | emexit@teknoware.com

