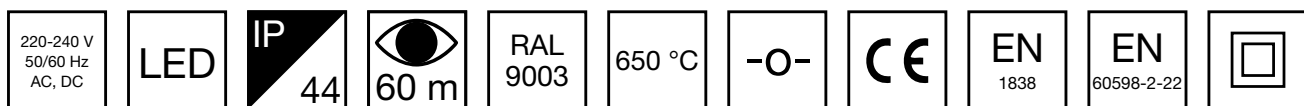


ESC 81 LED EMERGENCY EXIT LIGHT Y8151W169



230 V centrally supplied LED Emergency Exit Light with 1-sided pictogram, arrow down, 60 m viewing distance (Individually packed TWT8151W)

ESC 81 is an innovative LED exit light equipped with a light plate. It combines cutting edge technology with modern luminaire design.

Evenly illuminated light plates, low power consumption and slender looking luminaires are the result of Teknoware's pioneering, expertise in electronics and product design. Luminaire can be used as 1 or 2 sided, recess and surface mounted.

ESC 81 is particularly easy and fast to install thanks to a separate mounting piece, into which also the power supply is connected.

| | |
|-------------------------------------|----------------------------|
| Product Code | Y8151W169 |
| Mounting (standard) | ceiling, wall |
| Mounting (optional) | recess, flag, pendel |
| Customs Code | 94056080 |
| GTIN Code | 6438045016719 |
| ETIM Product Class | EC001957 |
| Length | 410 mm |
| Width | 390 mm |
| Height | 46 mm |
| Weight | 1,4 kg |
| Max Input Power VA | 5,5 VA |
| Max Input Power W | 3,2 W |
| Nominal Supply Voltage | 220-240 V, 50/60 Hz AC, DC |
| Protection Class | II |
| IP Class | IP44 |
| Temperature Range Min - Max | -30...+50 °C |
| Glow Wire Test of Plastic Materials | 650 °C |
| Viewing Distance | 60 m |
| Light Source | LED |
| Body Material | plastic |
| Aperture for Recess Mounting | 45 x 415 mm |
| Colour | RAL9003 |
| Electrical Installation | 2/3 x 2,5 mm ² |

Downlight chart for Exit Lights

Tables of 1 lux and 0,5 lux, under the Exit Light.
Level of measurement 0,02 m, measurement result with battery operation.

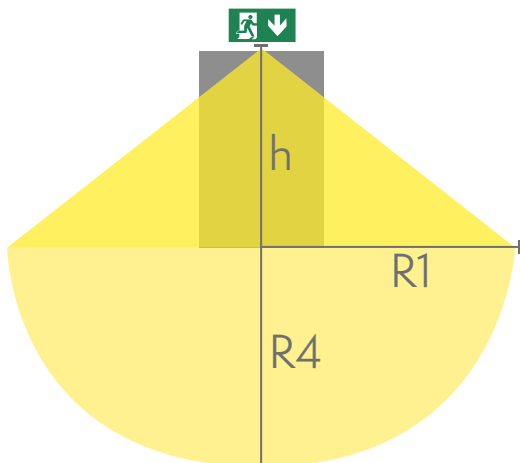
We reserve the rights to make modifications without notice.

Copyright © 2024 Teknoware. All rights reserved.

Date: August 14, 2024 | Source: [teknoware.com/en/emergency-lighting/esc-81-led-emergency-exit-light-y8151w169](https://www.teknoware.com/en/emergency-lighting/esc-81-led-emergency-exit-light-y8151w169)



Teknoware Oy | P.O. Box 19, 15101 Lahti | Ilmarisentie 8, 15200 Lahti Finland
Tel +358 3 883 020 | VAT-number FI01494751 | [teknoware.com](https://www.teknoware.com) | emexit@teknoware.com



R1 distance from wall (X axis)
 R4 distance from wall (Y axis)
 Y8151W169

| Mounting height (m) | Below the light lux | R1 (m) | R4 (m) | R1 (m) | R4 (m) |
|---------------------|---------------------|--------|--------|---------|---------|
| | | 1 lux | 1 lux | 0,5 lux | 0,5 lux |
| 2 | 1,5 | 0,5 | 1 | 1,5 | 2 |
| 2,5 | 0,8 | | | 1,5 | 2 |

OPTIONAL ACCESSORIES:

SHOCK PROTECTING COVERS FOR EMERGENCY LIGHTS



| Product Code | Product Name | Compatible Product Groups |
|--------------|---------------------------------|--|
| TW77510B | Shock protecting cover TW77510B | ESC 10 Emergency Exit Lights, DISCONTINUED: ESC 6L Emergency Exit Lights, ESC 29 Emergency Exit Lights, Safe 29 Emergency Lights, ESC 81 Emergency Exit Lights |

OPTIONAL MOUNTING ACCESSORIES FOR EMERGENCY EXIT LIGHTS



| Product Code | Product Name | Compatible Product Groups |
|--------------|--------------------------------|--|
| TWT9000 | Suspension bracket TWT9000 | ESC 90 Emergency Exit Lights, ESC 80 Emergency Exit Lights, ESC 81 Emergency Exit Lights |
| TWT8101 | Recess mounting frame TWT8101 | ESC 81 Emergency Exit Lights |
| TWT8101B | Recess mounting frame TWT8101B | ESC 81 Emergency Exit Lights |
| TWT8102 | Flag bracket TWT8102 | ESC 81 Emergency Exit Lights |

We reserve the rights to make modifications without notice.

Copyright © 2024 Teknoware. All rights reserved.

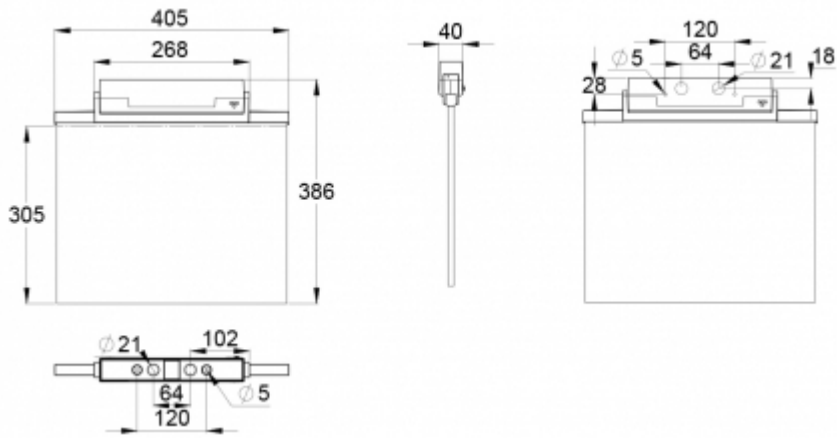
Date: August 14, 2024 | Source: teknoware.com/en/emergency-lighting/esc-81-led-emergency-exit-light-y8151w169



We reserve the rights to make modifications without notice.
Copyright © 2024 Teknoware. All rights reserved.
Date: August 14, 2024 | Source: teknoware.com/en/emergency-lighting/esc-81-led-emergency-exit-light-y8151w169

Teknoware Oy | P.O. Box 19, 15101 Lahti | Ilmarisentie 8, 15200 Lahti Finland
Tel +358 3 883 020 | VAT-number FI01494751 | teknoware.com | emexit@teknoware.com





We reserve the rights to make modifications without notice.

Copyright © 2024 Teknoware. All rights reserved.

Date: August 14, 2024 | Source: teknoware.com/en/emergency-lighting/esc-81-led-emergency-exit-light-y8151w169

Teknoware Oy | P.O. Box 19, 15101 Lahti | Ilmarisentie 8, 15200 Lahti Finland
Tel +358 3 883 020 | VAT-number FI01494751 | teknoware.com | emexit@teknoware.com

