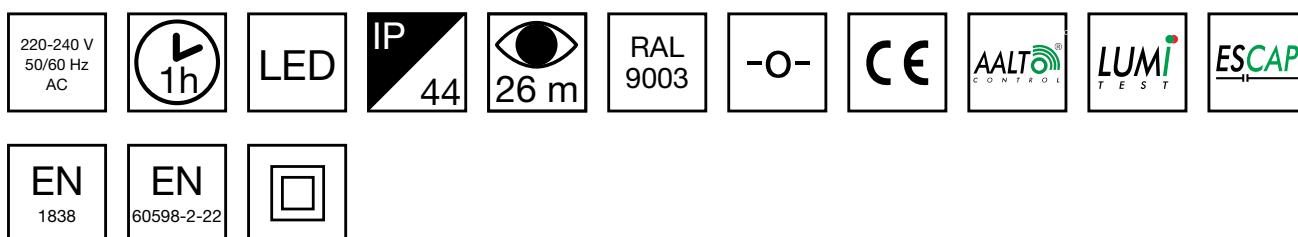


# ESC 80 EMERGENCY EXIT LIGHT Y8092WA135



Self-contained ESCAP Emergency Exit Light with 1 h Super Capacitor and Wireless Central Monitoring, with 2-sided pictogram, arrow down, 26 m viewing distance (Individually packed TWS8092WA)

ESC 80 is an emergency exit light equipped with a light plate, combining cutting edge technology combined with modern luminaire design. Thanks to Teknoware's innovative electronics and product design, the ESC 80 luminaire combines uniformly illuminated pictograms, low power consumption, as well as a slender appearance.

There is a selection of three different luminaire sizes. ESC 80 luminaires can be used as 1 or 2 sided, as well as recess or surface mounted.

We reserve the rights to make modifications without notice.  
Copyright © 2024 Teknoware. All rights reserved.  
Date: July 16, 2024 | Source: [teknoware.com/en/emergency-lighting/esc-80-emergency-exit-light-y8092wa135](https://teknoware.com/en/emergency-lighting/esc-80-emergency-exit-light-y8092wa135)



Teknoware Oy | P.O. Box 19, 15101 Lahti | Ilmarisentie 8, 15200 Lahti Finland  
Tel +358 3 883 020 | VAT-number FI01494751 | [teknoware.com](https://teknoware.com) | [emexit@teknoware.com](mailto:emexit@teknoware.com)

ESC 80 is particularly easy and fast to install thanks to a separate mounting piece, into which also the power supply is connected.

We reserve the rights to make modifications without notice.

Copyright © 2024 Teknoware. All rights reserved.

Date: July 16, 2024 | Source: [teknoware.com/en/emergency-lighting/esc-80-emergency-exit-light-y8092wa135](https://teknoware.com/en/emergency-lighting/esc-80-emergency-exit-light-y8092wa135)

Teknoware Oy | P.O. Box 19, 15101 Lahti | Ilmarisentie 8, 15200 Lahti Finland  
Tel +358 3 883 020 | VAT-number FI01494751 | [teknoware.com](https://teknoware.com) | [emexit@teknoware.com](mailto:emexit@teknoware.com)



Product Code	Y8092WA135
Feature	Aalto Control, Escap, Lumi Test
Mounting (standard)	ceiling, wall
Mounting (optional)	recess, flag, pendel
Customs Code	94056080
GTIN Code	6438045013015
ETIM Product Class	EC001957
Length	273 mm
Width	240 mm
Height	46 mm
Weight	1,0 kg
Backup	1 h
Max Input Power VA	4 VA
Nominal Supply Voltage	220-240 V, 50/60 Hz AC
Protection Class	II
IP Class	IP44
Temperature Range Min - Max	-25...+35 °C
Viewing Distance	26 m
Light Source	LED
Body Material	plastic
Aperture for Recess Mounting	53 x 275 mm
Colour	RAL9003
Electrical Installation	2/3 x 2,5 mm <sup>2</sup>

## OPTIONAL ACCESSORIES:

## SHOCK PROTECTING COVERS FOR EMERGENCY LIGHTS



We reserve the rights to make modifications without notice.

Copyright © 2024 Teknoware. All rights reserved.

Date: July 16, 2024 | Source: [teknoware.com/en/emergency-lighting/esc-80-emergency-exit-light-y8092wa135](https://teknoware.com/en/emergency-lighting/esc-80-emergency-exit-light-y8092wa135)



Teknoware Oy | P.O. Box 19, 15101 Lahti | Ilmarisentie 8, 15200 Lahti Finland  
Tel +358 3 883 020 | VAT-number FI01494751 | [teknoware.com](https://teknoware.com) | [emexit@teknoware.com](mailto:emexit@teknoware.com)

Product Code	Product Name	Compatible Product Groups
TW77507B	Shock protecting cover TW77507B	ESC 10 Emergency Exit Lights, ESC 80 Emergency Exit Lights

## COVER LABELS FOR EMERGENCY EXIT LIGHTS

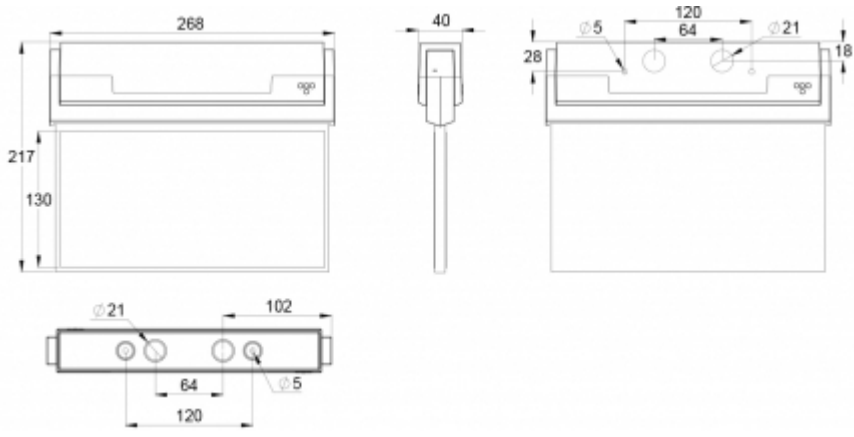


Product Code	Pictogram	Compatible Product Groups
XWT8002		ESC 80 Emergency Exit Lights

## OPTIONAL MOUNTING ACCESSORIES FOR EMERGENCY EXIT LIGHTS



Product Code	Product Name	Compatible Product Groups
TWT9000	Suspension bracket TWT9000	ESC 90 Emergency Exit Lights, ESC 80 Emergency Exit Lights, ESC 81 Emergency Exit Lights
TWT9002	Flag bracket TWT9002	124010.124011
TWT8001B	Recess mounting frame TWT8001B	ESC 80 Emergency Exit Lights



We reserve the rights to make modifications without notice.

Copyright © 2024 Teknoware. All rights reserved.

Date: July 16, 2024 | Source: [teknoware.com/en/emergency-lighting/esc-80-emergency-exit-light-y8092wa135](https://teknoware.com/en/emergency-lighting/esc-80-emergency-exit-light-y8092wa135)



Teknoware Oy | P.O. Box 19, 15101 Lahti | Ilmarisentie 8, 15200 Lahti Finland

Tel +358 3 883 020 | VAT-number FI01494751 | [teknoware.com](https://teknoware.com) | [emexit@teknoware.com](mailto:emexit@teknoware.com)