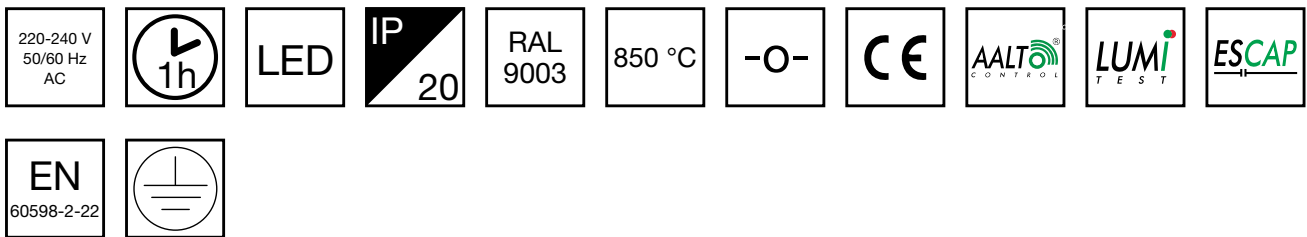


LINESPOT II LOWBAY EMERGENCY LIGHT Y1492WA



Self-contained Escap Emergency light with 1 h Super Capacitor and Wireless Central Monitoring (Individually packed TWS1492WA)

The Linespot II Lowbay is a compact and stylish emergency light designed especially for corridor lighting. The luminaire is recess mounted; the size of the recess mounting aperture is \varnothing 75 mm. Linespot II Lowbay's design is an unobtrusive solution for energy-efficient emergency lighting.

Product Code	Y1492WA
Feature	Aalto Control, Escap, Lumi Test
Mounting (standard)	recess
Customs Code	94056080
GTIN Code	6438045017105
ETIM Product Class	EC001957
Length	385 mm
Width	115 mm
Height	95 mm
Weight	0,9 kg
Backup	1 h
Max Input Power VA	3 VA
Nominal Supply Voltage	220-240 V, 50/60 Hz AC
Protection Class	I
IP Class	IP20
Temperature Range Min - Max	-25...+35 °C
Glow Wire Test of Plastic Materials	850 °C
Light Source	LED
Body Material	plastic
Aperture for Recess Mounting	ø75 mm
Colour	RAL9003
Electrical Installation	3 x 2,5 mm ²
Luminous Flux	75 lm

Emergency lighting for escape routes (ceiling mounting)

Table of 1 lux for escape routes in the middle line according to the norm EN 1838.

Level of measurement 0,02 m, measurement result with battery operation.

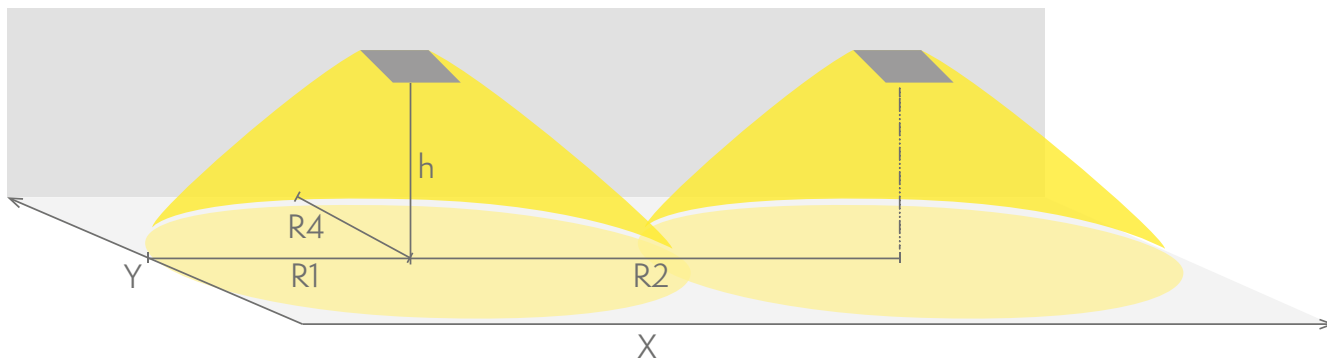
We reserve the rights to make modifications without notice.

Copyright © 2024 Teknoware. All rights reserved.

Date: August 14, 2024 | Source: teknoware.com/en/emergency-lighting-1/linespot-ii-lowbay-emergency-light-y1492wa



Teknoware Oy | P.O. Box 19, 15101 Lahti | Ilmarisentie 8, 15200 Lahti Finland
Tel +358 3 883 020 | VAT-number FI01494751 | teknoware.com | emexit@teknoware.com



- R1 distance from wall (X axis)
- R2 installation distance between lights (X axis)
- R4 distance from wall (Y axis)

Y1492WA

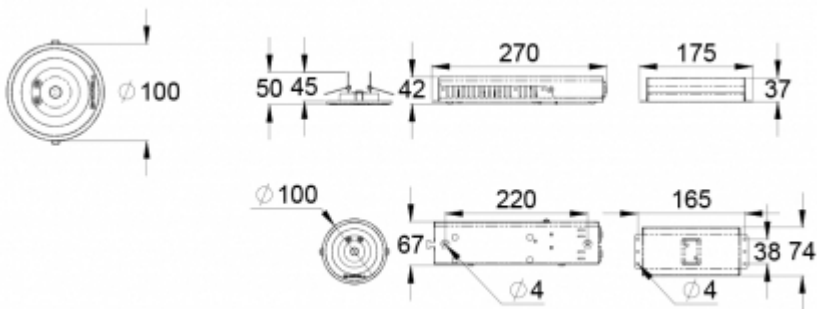
Mounting height (m)	Below the light lux	R1 (m)	R2 (m)	R4 (m)
		1 lux	1 lux	1 lux
2,5	2,5	5	16	1
3	1,5	4,5	16,5	1

OPTIONAL ACCESSORIES:

OTHER ACCESSORIES FOR EMERGENCY LIGHTS



Product Code	Product Name	Compatible Product Groups
TMT389	Gasket ring TMT389	Linespot II: Lowbay, Recess-Mounted Emergency Lights, Zonespot II: Lowbay, Recess-Mounted Emergency Lights



We reserve the rights to make modifications without notice.
 Copyright © 2024 Teknoware. All rights reserved.
 Date: August 14, 2024 | Source: teknoware.com/en/emergency-lighting-1/linespot-ii-lowbay-emergency-light-y1492wa



Teknoware Oy | P.O. Box 19, 15101 Lahti | Ilmarisentie 8, 15200 Lahti Finland
 Tel +358 3 883 020 | VAT-number FI01494751 | teknoware.com | emexit@teknoware.com