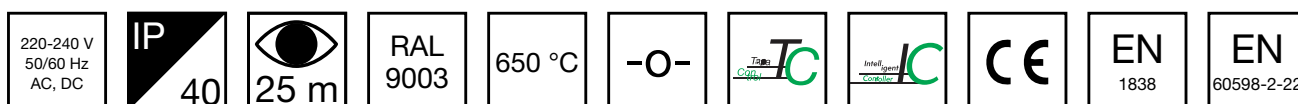


EASY COMBO EMERGENCY LIGHT OR EMERGENCY EXIT LIGHT TWTB151WK



Addressable 230 V centrally supplied Emergency / Exit Light.

Teknoware Easy Combo is a combination light, which can be used as either an emergency or emergency exit light. When fitted with the rotatable sign, Combo can show the direction arrow pointing up, down, left or right. When Combo is used as an emergency exit light, a separate ceiling bracket is needed for ceiling installation (TWTB104). When Combo is used as an emergency light, the sign is not installed.

Easy Combo can easily be surface or semi-flush mounted thanks to its practical design. Easy's wide product family offers an ideal choice when you want a single fixture for your entire property's needs.

INDIVIDUALLY PACKED LIGHTS

| |
|--------------|
| Product Code |
| YB151WK120 |

| | |
|-------------------------------------|---------------------------------------|
| Product Code | TWTB151WK |
| Feature | Intelligent Controller, Tapsa Control |
| Mounting (standard) | wall, ceiling, surface, recess |
| Customs Code | 94056080 |
| GTIN Code | 6438045024950 |
| ETIM Product Class | EC001957 |
| Length | 265 mm |
| Width | 137 mm |
| Height | 53 mm |
| Weight | 0.45 kg |
| Max Input Power VA | 5,7 VA |
| Max Input Power W | 3,4 W |
| Nominal Supply Voltage | 220-240 V, 50/60 Hz AC, DC |
| Protection Class | II |
| IP Class | IP40 |
| Temperature Range Min - Max | -30...+50 °C |
| Glow Wire Test of Plastic Materials | 650 °C |
| Viewing Distance | 25 m |
| Body Material | plastic |
| Colour | RAL9003 |
| Electrical Installation | 2/3 x 2,5 mm ² |
| Luminous Flux | 170 lm |

We reserve the rights to make modifications without notice.

Copyright © 2024 Teknoware. All rights reserved.

Date: August 14, 2024 | Source: teknoware.com/en/easy-combo-emergency-light-or-emergency-exit-light-twtb151wk

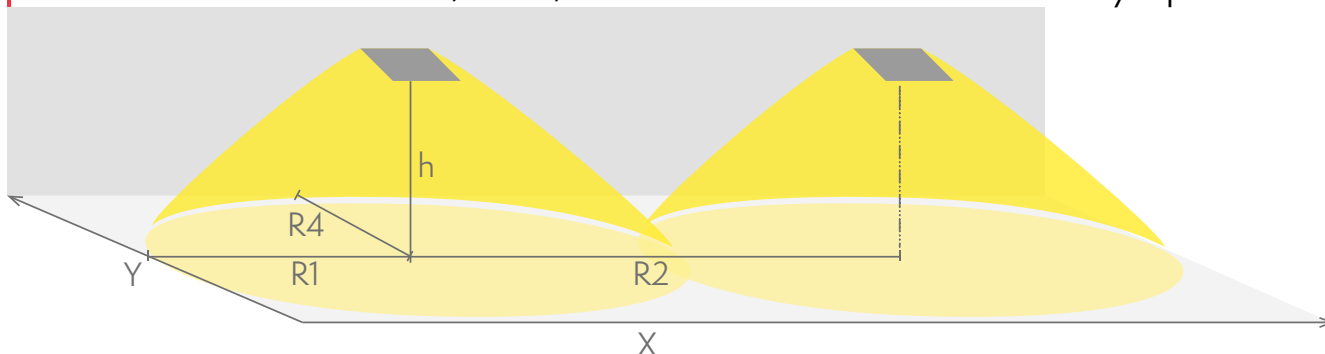
Teknoware Oy | P.O. Box 19, 15101 Lahti | Ilmarisentie 8, 15200 Lahti Finland
Tel +358 3 883 020 | VAT-number FI01494751 | teknoware.com | emexit@teknoware.com



Emergency lighting for escape routes (ceiling mounting)

Table of 1 lux for escape routes in the middle line according to the norm EN 1838.

Level of measurement 0,02 m, measurement result with battery operation.



R1 distance from wall (X axis)

R2 installation distance between lights (X axis)

R4 distance from wall (Y axis)

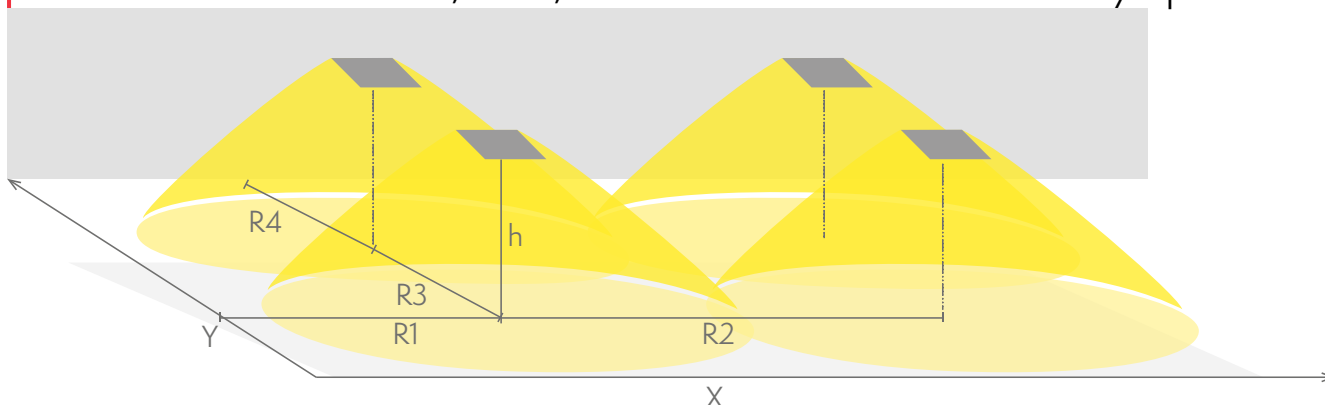
TWTB151WK

| Mounting height (m) | Below the light lux | R1 (m) | R2 (m) | R4 (m) |
|---------------------|---------------------|--------|--------|--------|
| | | 1 lux | 1 lux | 1 lux |
| 2,5 | 7 | 3 | 8 | 1 |
| 3 | 5 | 3 | 8.5 | 1 |
| 4 | 2.5 | 3 | 9.5 | 1 |

Emergency lighting for open areas (ceiling mounting)

Table of 0,5 lux for open areas according to the norm EN 1838, 0,5 m edge district is considered in the table.

Level of measurement 0,02 m, measurement result with battery operation.



R1 distance from wall (X axis)

R2 installation distance between lights (X axis)

R3 installation distance between lights (Y axis)

We reserve the rights to make modifications without notice.

Copyright © 2024 Teknoware. All rights reserved.

Date: August 14, 2024 | Source: teknoware.com/en/easy-combo-emergency-light-or-emergency-exit-light-twtb151wk



R4 distance from wall (Y axis) TWTB151WK

| Mounting height (m) | Below the light lux | R1 (m) | R2 (m) | R3 (m) | R4 (m) |
|---------------------|---------------------|---------|---------|---------|---------|
| | | 0,5 lux | 0,5 lux | 0,5 lux | 0,5 lux |
| 2,5 | 7 | 3.5 | 7 | 7 | 3.5 |
| 3 | 5 | 3.5 | 7 | 7 | 3.5 |
| 4 | 2.5 | 3.5 | 7.5 | 7.5 | 3.5 |
| 6 | 1.2 | 4 | 8 | 8 | 4 |

OPTIONAL ACCESSORIES:

SHOCK PROTECTING COVERS FOR EMERGENCY LIGHTS



| Product Code | Product Name | Compatible Product Groups |
|--------------|---------------------------------|--|
| TW77508B | Shock protecting cover TW77508B | ESC 0,5 Emergency Exit Lights, ESC 4 Emergency Exit Lights, ESC 90 Emergency Exit Lights, Safe 82 Emergency Lights |

OTHER ACCESSORIES FOR EMERGENCY LIGHTS



| Product Code | Product Name | Compatible Product Groups |
|--------------|--------------------------------|---|
| TWTB110 | Easy Combo IP54 gasket TWTB110 | Other Accessories for Emergency Exit Lights |

OPTIONAL MOUNTING ACCESSORIES FOR EMERGENCY EXIT LIGHTS



| Product Code | Product Name | Compatible Product Groups |
|--------------|--|---|
| TWTB101 | Easy Combo recess mounting frame TWTB101 | Easy: Combo Emergency / Exit Light, Easy Combo Emergency / Exit Light |
| TWTB103 | Easy Combo flag bracket TWTB103 | Easy: Combo Emergency / Exit Light, Easy Combo Emergency / Exit Light |
| TWTB104 | Easy Combo ceiling bracket TWTB104 | Easy: Combo Emergency / Exit Light, Easy Combo Emergency / Exit Light |

We reserve the rights to make modifications without notice.
Copyright © 2024 Teknoware. All rights reserved.
Date: August 14, 2024 | Source: [teknoware.com/en/easy-combo-emergency-light-or-emergency-exit-light-twtb151wk](https://www.teknoware.com/en/easy-combo-emergency-light-or-emergency-exit-light-twtb151wk)



Teknoware Oy | P.O. Box 19, 15101 Lahti | Ilmarisentie 8, 15200 Lahti Finland
Tel +358 3 883 020 | VAT-number FI01494751 | [teknoware.com](https://www.teknoware.com) | emexit@teknoware.com

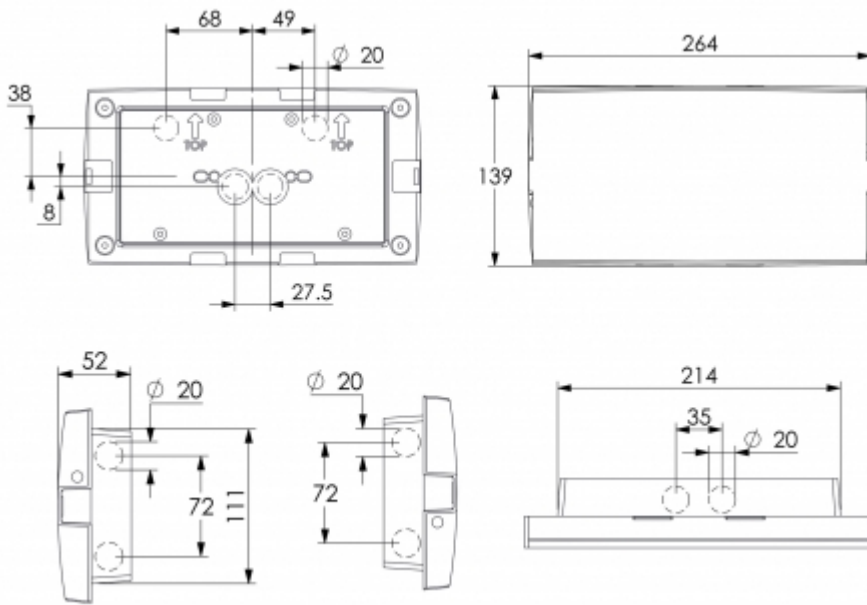
| Product Code | Product Name | Compatible Product Groups |
|--------------|--|--|
| TWTB105 | Easy Combo suspension bracket TWTB105 | Easy: Combo Emergency / Exit Light, Easy Combo Emergency / Exit Light |

COMPATIBLE PRODUCTS:

PICTOGRAMS FOR EMERGENCY EXIT LIGHTS



| Product Code | Pictogram | Viewing Distance (m) | Compatible Product Groups |
|--------------|-----------|----------------------|---------------------------|
| PBB100 | | 25 | |



We reserve the rights to make modifications without notice.

Copyright © 2024 Teknoware. All rights reserved.

Date: August 14, 2024 | Source: teknoware.com/en/easy-combo-emergency-light-or-emergency-exit-light-twtb151wk

Teknoware Oy | P.O. Box 19, 15101 Lahti | Ilmarisentie 8, 15200 Lahti Finland
 Tel +358 3 883 020 | VAT-number FI01494751 | teknoware.com | emexit@teknoware.com

