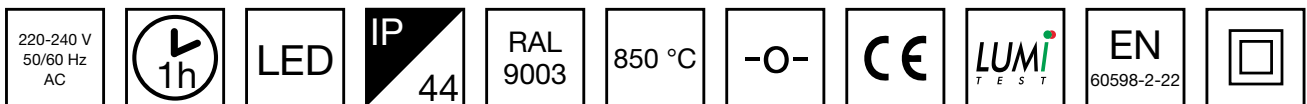


LINESPOT II MIDBAY EMERGENCY LIGHT TWT8852WM



Self-contained LED Emergency Exit Light with 1 h Battery and Lumi Test Self-testing

The Linespot II Midbay is a surface-mounted emergency light. The luminaire's optics are designed to provide a long and narrow light pattern that illuminates corridors and escape routes efficiently.

Thanks to the IP44 enclosure class, the Linespot II is also suitable for damp areas. The luminaire is easy and fast to install, thanks to a separate mounting base, which is also connected to the power supply.

INDIVIDUALLY PACKED LIGHTS

Product Code

Y8852WM

Product Code	TWT8852WM
Feature	Lumi Test
Mounting (standard)	surface
Mounting (optional)	pendel
Customs Code	94056080
GTIN Code	6438045019253
ETIM Product Class	EC001957
Length	180 mm
Width	180 mm
Height	50 mm
Weight	0,7 kg
Backup	1 h
Max Input Power VA	3 VA
Nominal Supply Voltage	220-240 V, 50/60 Hz AC
Protection Class	II
IP Class	IP44
Temperature Range Min - Max	0...+35 °C
Glow Wire Test of Plastic Materials	850 °C
Light Source	LED
Body Material	plastic
Colour	RAL9003
Electrical Installation	2/3 x 2,5 mm ²

We reserve the rights to make modifications without notice.

Copyright © 2024 Teknoware. All rights reserved.

Date: July 16, 2024 | Source: teknoware.com/en/emergency-lighting-1/linespot-ii-midbay-emergency-light-twt8852wm

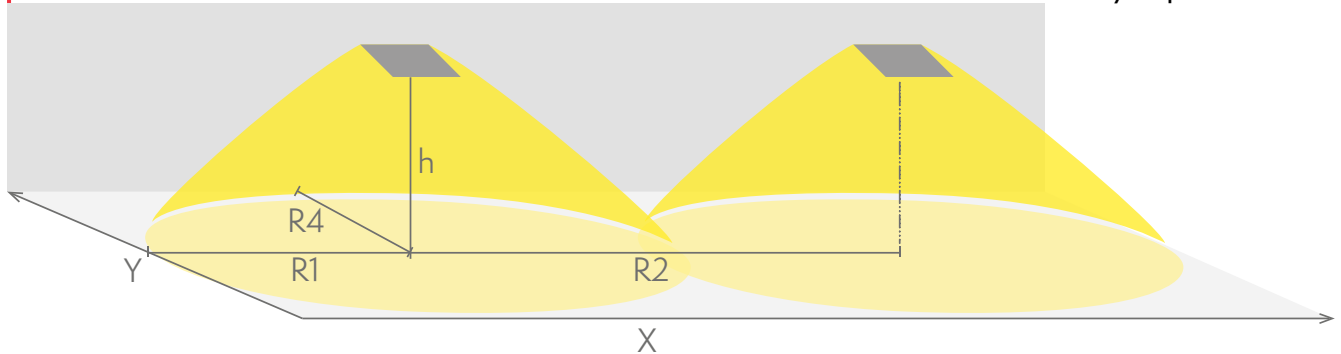
Teknoware Oy | P.O. Box 19, 15101 Lahti | Ilmarisentie 8, 15200 Lahti Finland
Tel +358 3 883 020 | VAT-number FI01494751 | teknoware.com | emexit@teknoware.com



Emergency lighting for escape routes (ceiling mounting)

Table of 1 lux for escape routes in the middle line according to the norm EN 1838.

Level of measurement 0,02 m, measurement result with battery operation.



R1 distance from wall (X axis)

R2 installation distance between lights (X axis)

R4 distance from wall (Y axis)

TWT8852WM

Mounting height (m)	Below the light lux	R1 (m)	R2 (m)	R4 (m)
		1 lux	1 lux	1 lux
2,5	40	5	11	1
4	15	6,5	17	1
6	6	7,5	20	1
8	3,5	7	21	1
10	2	6,5	21	1

OPTIONAL ACCESSORIES:

SHOCK PROTECTING COVERS FOR EMERGENCY LIGHTS



Product Code	Product Name	Compatible Product Groups
TW77507B	Shock protecting cover TW77507B	ESC 10 Emergency Exit Lights, ESC 80 Emergency Exit Lights

We reserve the rights to make modifications without notice.

Copyright © 2024 Teknoware. All rights reserved.

Date: July 16, 2024 | Source: [teknoware.com/en/emergency-lighting-1/linespot-ii-midbay-emergency-light-twt8852wm](https://www.teknoware.com/en/emergency-lighting-1/linespot-ii-midbay-emergency-light-twt8852wm)

 **TEKNOWARE**[®]

Teknoware Oy | P.O. Box 19, 15101 Lahti | Ilmarisentie 8, 15200 Lahti Finland
Tel +358 3 883 020 | VAT-number FI01494751 | [teknoware.com](https://www.teknoware.com) | emexit@teknoware.com

OPTIONAL MOUNTING ACCESSORIES FOR EMERGENCY LIGHTS

We reserve the rights to make modifications without notice.

Copyright © 2024 Teknoware. All rights reserved.

Date: July 16, 2024 | Source: teknoware.com/en/emergency-lighting-1/linespot-ii-midbay-emergency-light-twt8852wm

Teknoware Oy | P.O. Box 19, 15101 Lahti | Ilmarisentie 8, 15200 Lahti Finland

Tel +358 3 883 020 | VAT-number FI01494751 | teknoware.com | emexit@teknoware.com



Product Code	Product Name	Compatible Product Groups
TWT9202	Wall bracket TWT9202	Linespot II: Lowbay, Surface-Mounted Emergency Lights, Zonespot II: Lowbay, Surface-Mounted Emergency Lights, Zonespot II: Midbay, Surface-Mounted Emergency Lights, Safe 29 Emergency Lights, Linespot II: Midbay, Surface-Mounted Emergency Lights, Zonespot II: Highbay, Surface-Mounted Emergency Lights
TW77504F	Suspension bracket TW77504F	Linespot II: Lowbay, Surface-Mounted Emergency Lights, Zonespot II: Lowbay, Surface-Mounted Emergency Lights, Zonespot II: Midbay, Surface-Mounted Emergency Lights, Linespot II: Midbay, Surface-Mounted Emergency Lights, Zonespot II: Highbay, Surface-Mounted Emergency Lights

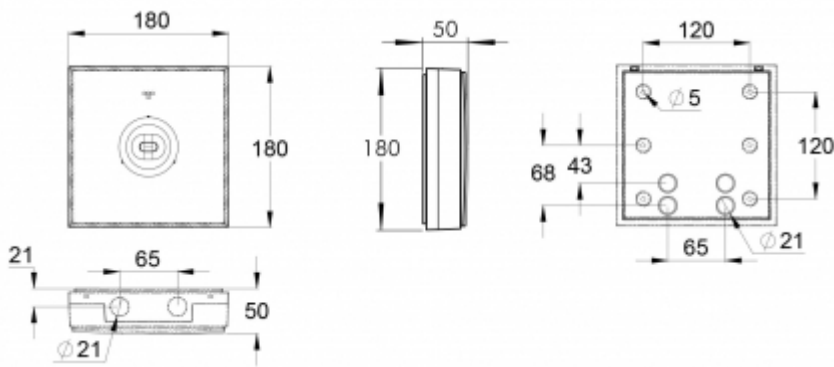
We reserve the rights to make modifications without notice.

Copyright © 2024 Teknoware. All rights reserved.

Date: July 16, 2024 | Source: teknoware.com/en/emergency-lighting-1/linespot-ii-midbay-emergency-light-twt8852wm



Teknoware Oy | P.O. Box 19, 15101 Lahti | Ilmarisentie 8, 15200 Lahti Finland
Tel +358 3 883 020 | VAT-number FI01494751 | teknoware.com | emexit@teknoware.com



We reserve the rights to make modifications without notice.

Copyright © 2024 Teknoware. All rights reserved.

Date: July 16, 2024 | Source: teknoware.com/en/emergency-lighting-1/linespot-ii-midbay-emergency-light-twt8852wm

Teknoware Oy | P.O. Box 19, 15101 Lahti | Ilmarisentie 8, 15200 Lahti Finland
Tel +358 3 883 020 | VAT-number FI01494751 | teknoware.com | emexit@teknoware.com

