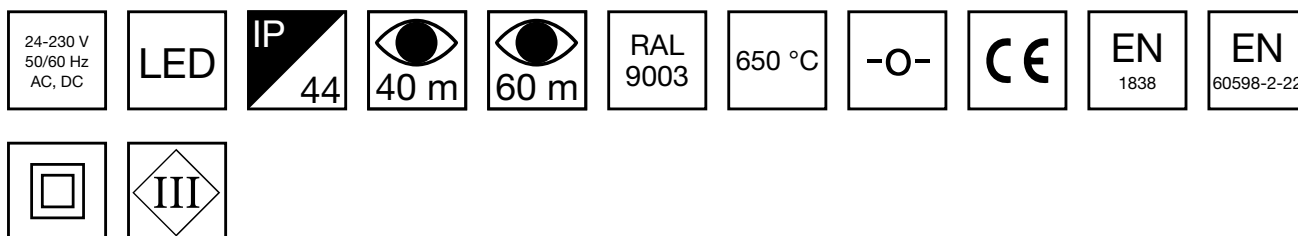


# ESC 81 EMERGENCY EXIT LIGHT TWT8171W



## 24-230 V centrally supplied emergency exit light

ESC 81 is an innovative exit light equipped with a light plate. It combines cutting edge technology with modern luminaire design. ESC 81 TWT8171W is available in two different light plate pictograms: 40 and 60 meters viewing distance.

Evenly illuminated light plates, low power consumption and slender looking luminaires are the result of Teknoware's pioneering, expertise in electronics and product design. Luminaire can be used as 1 or 2 sided, recess and surface mounted. ESC 81 is particularly easy and fast to install thanks to a separate mounting piece, into which also the power supply is connected.

Product Code	TWT8171W
Mounting (standard)	wall, ceiling
Mounting (optional)	recess, flag, pendel
Customs Code	94056080
GTIN Code	6438045027272
ETIM Product Class	EC001957
Length	405 mm
Width	40 mm
Height	287 mm
Weight	1,4 kg
Max Input Power VA	3 VA (24 V), 6,4 VA (230V)
Max Input Power W	2,1 W (24 V), 2,1 W (230 V)
Nominal Supply Voltage	24-230 V, 50/60 Hz AC, DC
Protection Class	III (24 V), II (230 V)
IP Class	IP44
Temperature Range Min - Max	-30...+50 °C
Glow Wire Test of Plastic Materials	650 °C
Viewing Distance	40/60 m
Light Source	LED
Body Material	plastic
Aperture for Recess Mounting	45 x 415 mm
Colour	RAL9003
Electrical Installation	2 x 2,5 mm <sup>2</sup> (24 V), 3 x 2,5 mm <sup>2</sup> (230 V)

ONE OR MORE OF THESE IS ALSO REQUIRED:

## PICTOGRAMS FOR EMERGENCY EXIT LIGHTS



We reserve the rights to make modifications without notice.

Copyright © 2024 Teknoware. All rights reserved.

Date: August 14, 2024 | Source: [teknoware.com/en/emergency-lighting/esc-81-emergency-exit-light-twt8171w](https://www.teknoware.com/en/emergency-lighting/esc-81-emergency-exit-light-twt8171w)



Teknoware Oy | P.O. Box 19, 15101 Lahti | Ilmarisentie 8, 15200 Lahti Finland  
Tel +358 3 883 020 | VAT-number FI01494751 | [teknoware.com](https://www.teknoware.com) | [emexit@teknoware.com](mailto:emexit@teknoware.com)

Product Code	Pictogram	Viewing Distance (m)	Compatible Product Groups
PBV81402E		40	ESC 81 Emergency Exit Lights
PBV81402E3		40	ESC 81 Emergency Exit Lights
PBV81401E		40	ESC 81 Emergency Exit Lights
PBV81401E1		40	ESC 81 Emergency Exit Lights
PBV81401E2		40	ESC 81 Emergency Exit Lights
PBV81602E		60	ESC 81 Emergency Exit Lights
PBV81601E		60	ESC 81 Emergency Exit Lights
PBV81601E1		60	ESC 81 Emergency Exit Lights
PBV81601E2		60	ESC 81 Emergency Exit Lights

## OPTIONAL ACCESSORIES:

### SHOCK PROTECTING COVERS FOR EMERGENCY LIGHTS



Product Code	Product Name	Compatible Product Groups
TW77510B	Shock protecting cover TW77510B	ESC 10 Emergency Exit Lights, DISCONTINUED: ESC 6L Emergency Exit Lights, ESC 29 Emergency Exit Lights, Safe 29 Emergency Lights, ESC 81 Emergency Exit Lights

### COVER LABELS FOR EMERGENCY EXIT LIGHTS



Product Code	Pictogram	Compatible Product Groups
XWT8101		ESC 81 Emergency Exit Lights
XWT8106		ESC 81 Emergency Exit Lights

### OPTIONAL MOUNTING ACCESSORIES FOR EMERGENCY EXIT LIGHTS



We reserve the rights to make modifications without notice.  
 Copyright © 2024 Teknoware. All rights reserved.  
 Date: August 14, 2024 | Source: [teknoware.com/en/emergency-lighting/esc-81-emergency-exit-light-twt8171w](https://www.teknoware.com/en/emergency-lighting/esc-81-emergency-exit-light-twt8171w)



Product Code	Product Name	Compatible Product Groups
TWT9000	Suspension bracket TWT9000	ESC 90 Emergency Exit Lights, ESC 80 Emergency Exit Lights, ESC 81 Emergency Exit Lights
TWT8101	Recess mounting frame TWT8101	ESC 81 Emergency Exit Lights
TWT8102	Flag bracket TWT8102	ESC 81 Emergency Exit Lights

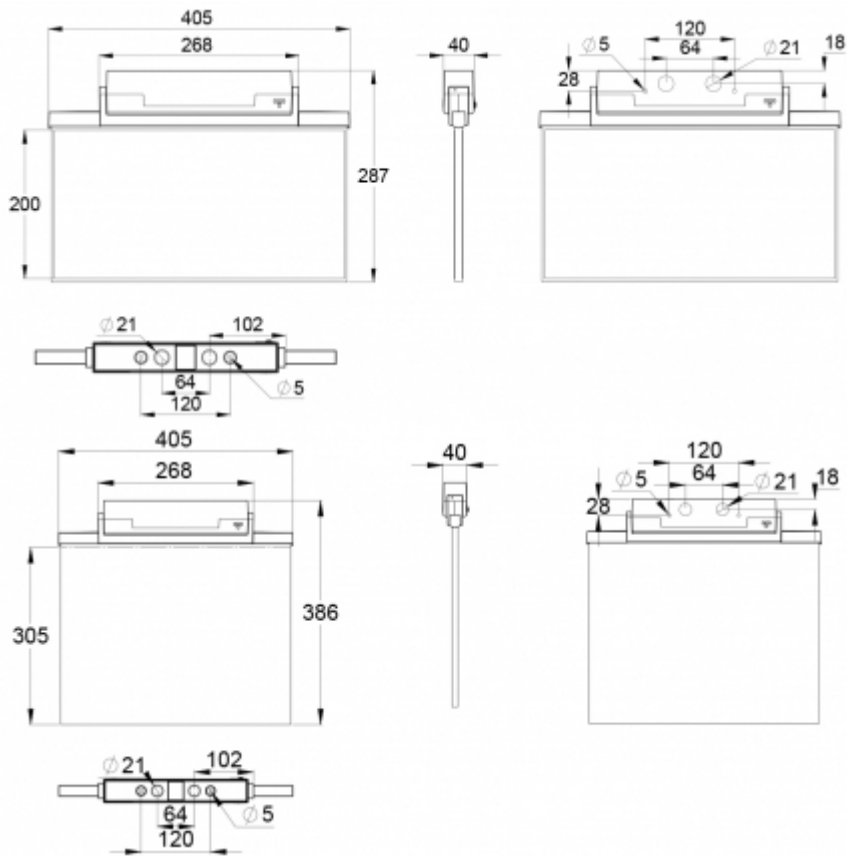
We reserve the rights to make modifications without notice.

Copyright © 2024 Teknoware. All rights reserved.

Date: August 14, 2024 | Source: [teknoware.com/en/emergency-lighting/esc-81-emergency-exit-light-twt8171w](https://teknoware.com/en/emergency-lighting/esc-81-emergency-exit-light-twt8171w)

Teknoware Oy | P.O. Box 19, 15101 Lahti | Ilmarisentie 8, 15200 Lahti Finland  
Tel +358 3 883 020 | VAT-number FI01494751 | [teknoware.com](https://teknoware.com) | [emexit@teknoware.com](mailto:emexit@teknoware.com)





We reserve the rights to make modifications without notice.

Copyright © 2024 Teknoware. All rights reserved.

Date: August 14, 2024 | Source: [teknoware.com/en/emergency-lighting/esc-81-emergency-exit-light-twt8171w](https://teknoware.com/en/emergency-lighting/esc-81-emergency-exit-light-twt8171w)



Teknoware Oy | P.O. Box 19, 15101 Lahti | Ilmarisentie 8, 15200 Lahti Finland

Tel +358 3 883 020 | VAT-number FI01494751 | [teknoware.com](https://teknoware.com) | [emexit@teknoware.com](mailto:emexit@teknoware.com)