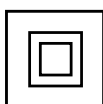
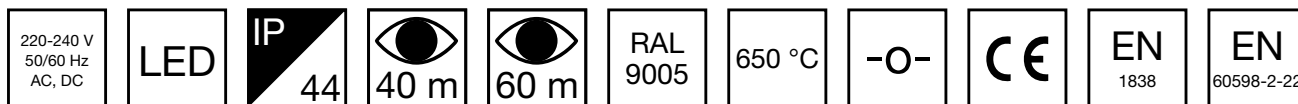


ESC 81 LED EMERGENCY EXIT LIGHT TWT8151WT



230 V centrally supplied LED Emergency Exit Light

ESC 81 is an innovative exit light equipped with a light plate. It combines cutting edge technology with modern luminaire design.

Evenly illuminated light plates, low power consumption and slender looking luminaires are the result of Teknoware's pioneering, expertise in electronics and product design. Luminaire can be used as 1 or 2 sided, recess and surface mounted.

ESC 81 is particularly easy and fast to install thanks to a separate mounting piece, into which also the power supply is connected.

We reserve the rights to make modifications without notice.
Copyright © 2024 Teknoware. All rights reserved.
Date: August 14, 2024 | Source: [teknoware.com/en/our-solutions/emergency-lighting-buildings/esc-81-led-emergency-exit-light-twt8151wt](https://www.teknoware.com/en/our-solutions/emergency-lighting-buildings/esc-81-led-emergency-exit-light-twt8151wt)

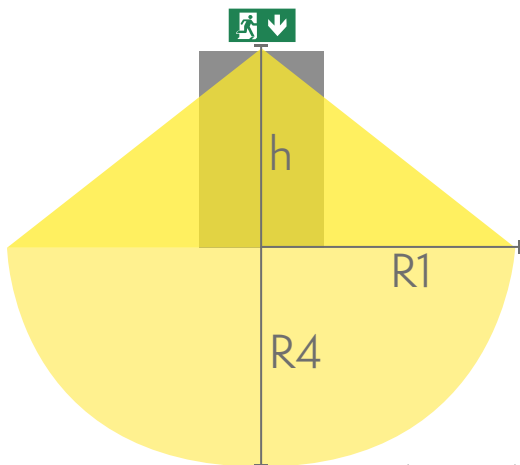


Teknoware Oy | P.O. Box 19, 15101 Lahti | Ilmarisentie 8, 15200 Lahti Finland
Tel +358 3 883 020 | VAT-number FI01494751 | [teknoware.com](https://www.teknoware.com) | emexit@teknoware.com

Product Code	TWT8151WT
Mounting (standard)	ceiling, wall
Mounting (optional)	recess, flag, pendel
Customs Code	94056080
GTIN Code	06438045028606
ETIM Product Class	EC001957
Length	405 mm
Width	40 mm
Height	287 mm
Weight	1,4 kg
Max Input Power VA	5,5 VA
Max Input Power W	3,2 W
Nominal Supply Voltage	220-240 V, 50/60 Hz AC, DC
Protection Class	II
IP Class	IP44
Temperature Range Min - Max	-30...+50 °C
Glow Wire Test of Plastic Materials	650 °C
Viewing Distance	40/60 m
Light Source	LED
Body Material	plastic
Aperture for Recess Mounting	45 x 415 mm
Colour	RAL9005
Electrical Installation	2/3 x 2,5 mm ²

Downlight chart for Exit Lights

Tables of 1 lux and 0,5 lux, under the Exit Light.
Level of measurement 0,02 m, measurement result with battery operation.



R1 distance from wall (X axis)
R4 distance from wall (Y axis)

TWT8151WT

Mounting height (m)	Below the light lux	R1 (m)	R4 (m)	R1 (m)	R4 (m)
		1 lux	1 lux	0,5 lux	0,5 lux
2	1,5	0,5	1	1,5	2
2,5	0,8			1,5	2

ONE OR MORE OF THESE IS ALSO REQUIRED:

PICTOGRAMS FOR EMERGENCY EXIT LIGHTS



Product Code	Pictogram	Viewing Distance (m)	Compatible Product Groups
PBV81402E		40	ESC 81 Emergency Exit Lights
PBV81402E3		40	ESC 81 Emergency Exit Lights
PBV81401E		40	ESC 81 Emergency Exit Lights
PBV81401E1		40	ESC 81 Emergency Exit Lights
PBV81401E2		40	ESC 81 Emergency Exit Lights
PBV81602E		60	ESC 81 Emergency Exit Lights
PBV81601E		60	ESC 81 Emergency Exit Lights
PBV81601E1		60	ESC 81 Emergency Exit Lights
PBV81601E2		60	ESC 81 Emergency Exit Lights

We reserve the rights to make modifications without notice.

Copyright © 2024 Teknoware. All rights reserved.

Date: August 14, 2024 | Source: teknoware.com/en/our-solutions/emergency-lighting-buildings/esc-81-led-emergency-exit-light-twt8151wt



Teknoware Oy | P.O. Box 19, 15101 Lahti | Ilmarisentie 8, 15200 Lahti Finland
Tel +358 3 883 020 | VAT-number FI01494751 | teknoware.com | emexit@teknoware.com

OPTIONAL ACCESSORIES:

SHOCK PROTECTING COVERS FOR EMERGENCY LIGHTS

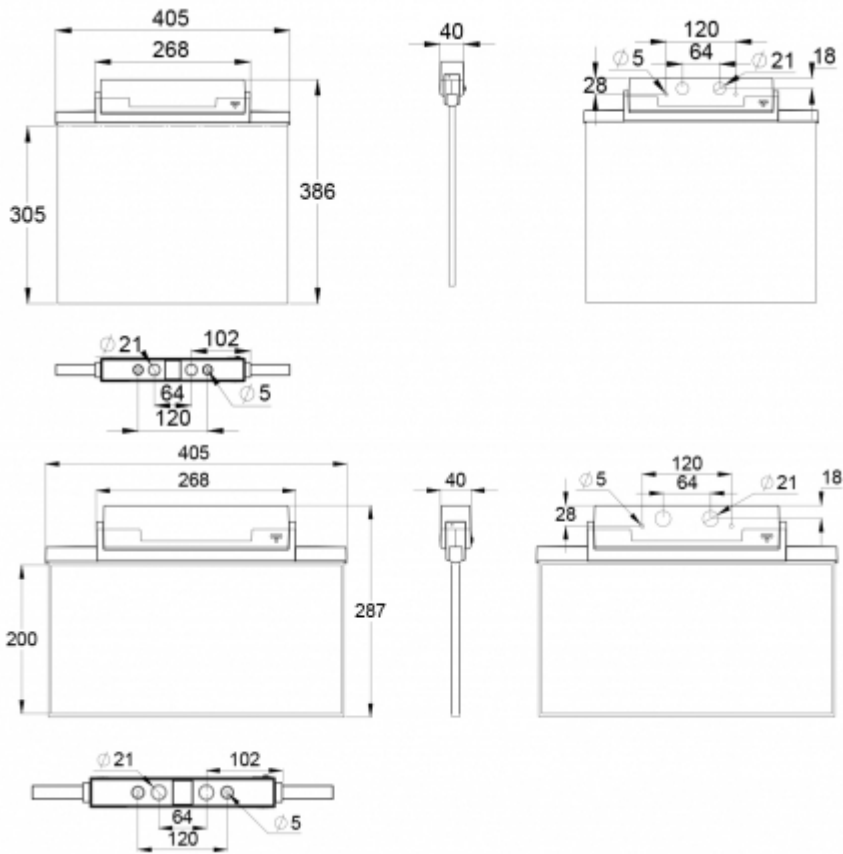


Product Code	Product Name	Compatible Product Groups
TW77510B	Shock protecting cover TW77510B	ESC 10 Emergency Exit Lights, DISCONTINUED: ESC 6L Emergency Exit Lights, ESC 29 Emergency Exit Lights, Safe 29 Emergency Lights, ESC 81 Emergency Exit Lights

COVER LABELS FOR EMERGENCY EXIT LIGHTS



Product Code	Pictogram	Compatible Product Groups
XWT8101		ESC 81 Emergency Exit Lights
XWT8106		ESC 81 Emergency Exit Lights



We reserve the rights to make modifications without notice.

Copyright © 2024 Teknoware. All rights reserved.

Date: August 14, 2024 | Source: teknoware.com/en/our-solutions/emergency-lighting-buildings/esc-81-led-emergency-exit-light-twt8151wt

Teknoware Oy | P.O. Box 19, 15101 Lahti | Ilmarisentie 8, 15200 Lahti Finland
 Tel +358 3 883 020 | VAT-number FI01494751 | teknoware.com | emexit@teknoware.com

