

TRISPOT LED EMERGENCY LIGHT TWT7551WK



Addressable 230 V centrally supplied LED Emergency Exit Light

Trispot LED emergency light is compact and stylish. It has a machined and anodized aluminium body, which gives a special exemplary appearance.

TWT75 is designed to illuminate particularly high areas. It uses the latest LED technology. The luminaire's lighting pattern illuminates open areas effectively and allows for a high installation height.

INDIVIDUALLY PACKED LIGHTS

Product Code

Y7551WK

Product Code	TWT7551WK
Feature	Tapsa Control
Mounting (standard)	recess
Customs Code	94056080
GTIN Code	6438045009810
ETIM Product Class	EC001957
Length	70 mm
Width	70 mm
Height	57 mm
Weight	0,4 kg
Max Input Power VA	15,3 VA
Max Input Power W	9,5 W
Nominal Supply Voltage	220-240 V, 50/60 Hz AC, DC
Protection Class	I
IP Class	IP20
Temperature Range Min - Max	-30...+50 °C
Glow Wire Test of Plastic Materials	650 °C
Certifications	SGS Fimko
Light Source	LED
Body Material	machined anodized aluminium
Aperture for Recess Mounting	ø60 mm
Electrical Installation	3 x 2,5 mm ²

We reserve the rights to make modifications without notice.

Copyright © 2024 Teknoware. All rights reserved.

Date: August 14, 2024 | Source: teknoware.com/en/emergency-lighting/trispot-led-emergency-light-twt7551wk

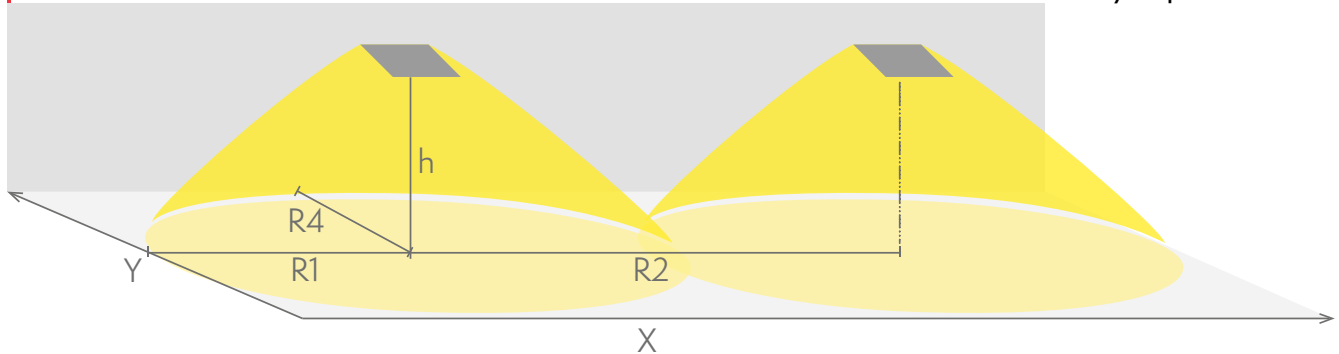
Teknoware Oy | P.O. Box 19, 15101 Lahti | Ilmarisentie 8, 15200 Lahti Finland
Tel +358 3 883 020 | VAT-number FI01494751 | teknoware.com | emexit@teknoware.com



Emergency lighting for escape routes (ceiling mounting)

Table of 1 lux for escape routes in the middle line according to the norm EN 1838.

Level of measurement 0,02 m, measurement result with battery operation.



R1 distance from wall (X axis)

R2 installation distance between lights (X axis)

R4 distance from wall (Y axis)

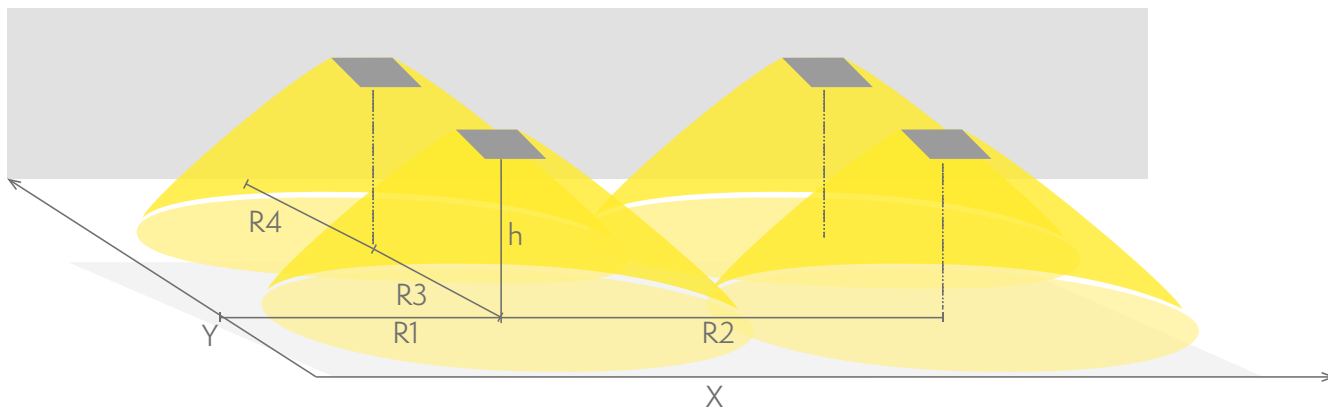
TWT7551WK

Mounting height (m)	Below the light lux	R1 (m)	R2 (m)	R4 (m)
		1 lux	1 lux	1 lux
2,5	240	2,5	6	2,5
4	95	3,5	9	3,5
6	42	4,5	11	4,5
8	23	6	13	6
10	15	5	14	5

Emergency lighting for open areas (ceiling mounting)

Table of 0,5 lux for open areas according to the norm EN 1838, 0,5 m edge district is considered in the table.

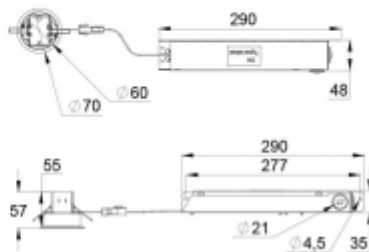
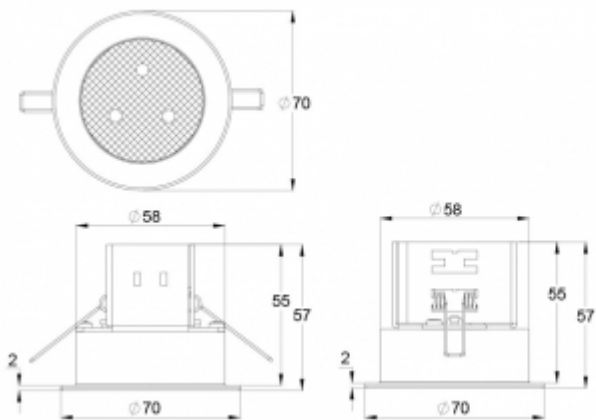
Level of measurement 0,02 m, measurement result with battery operation.



- R1 distance from wall (X axis)
- R2 installation distance between lights (X axis)
- R3 installation distance between lights (Y axis)
- R4 distance from wall (Y axis)

TWT7551WK

Mounting height (m)	Below the light lux	R1 (m)	R2 (m)	R3 (m)	R4 (m)
		0,5 lux	0,5 lux	0,5 lux	0,5 lux
2,5	240	2,5	4	4	2,5
4	95	3,5	7	7	3,5
6	42	4,5	8	8	4,5
8	23	5,5	10	10	5,5
10	15	5,5	11	11	5,5



We reserve the rights to make modifications without notice.
Copyright © 2024 Teknoware. All rights reserved.
Date: August 14, 2024 | Source: teknoware.com/en/emergency-lighting/trispot-led-emergency-light-twt7551wk

Teknoware Oy | P.O. Box 19, 15101 Lahti | Ilmarisentie 8, 15200 Lahti Finland
Tel +358 3 883 020 | VAT-number FI01494751 | teknoware.com | emexit@teknoware.com

