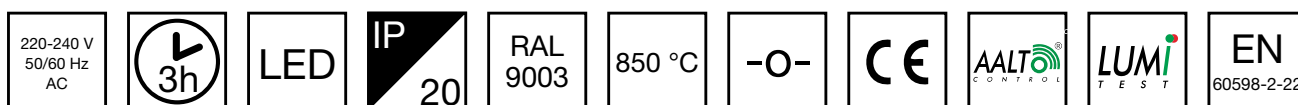


# LINESPOT II LOWBAY EMERGENCY LIGHT TWT1453WA



## Self-contained LED Emergency Light with 3 h Battery and Wireless Central Monitoring

The Linespot II Lowbay is a compact and stylish emergency light designed especially for corridor lighting. The luminaire is recess mounted; the size of the recess mounting aperture is  $\varnothing$  75 mm. Linespot II Lowbay's design is an unobtrusive solution for energy-efficient emergency lighting.

# INDIVIDUALLY PACKED LIGHTS

Product Code
Y1453WA

Product Code	TWT1453WA
Feature	Aalto Control, Lumi Test
Mounting (standard)	recess
Customs Code	94056080
GTIN Code	6438045019802
ETIM Product Class	EC001957
Length	100 mm
Width	100 mm
Height	50 mm
Weight	0,8 kg
Backup	3 h
Max Input Power VA	6 VA
Nominal Supply Voltage	220-240 V, 50/60 Hz AC
Protection Class	I
IP Class	IP20
Temperature Range Min - Max	0...+35 °C
Glow Wire Test of Plastic Materials	850 °C
Light Source	LED
Body Material	plastic
Aperture for Recess Mounting	ø75 mm
Colour	RAL9003
Electrical Installation	3 x 2,5 mm <sup>2</sup>

We reserve the rights to make modifications without notice.  
Copyright © 2024 Teknoware. All rights reserved.  
Date: July 16, 2024 | Source: [teknoware.com/en/emergency-lighting-1/linespot-ii-lowbay-emergency-light-twt1453wa](https://teknoware.com/en/emergency-lighting-1/linespot-ii-lowbay-emergency-light-twt1453wa)

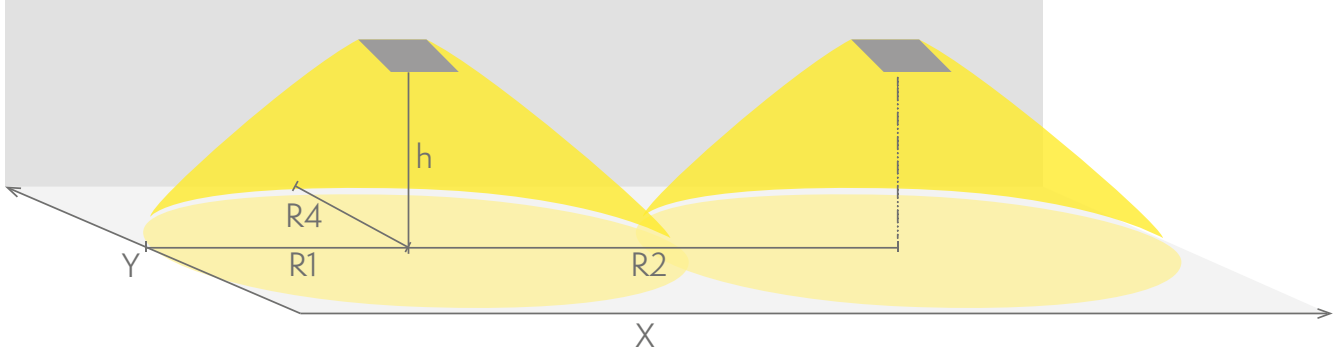
Teknoware Oy | P.O. Box 19, 15101 Lahti | Ilmarisentie 8, 15200 Lahti Finland  
Tel +358 3 883 020 | VAT-number FI01494751 | [teknoware.com](https://teknoware.com) | [emexit@teknoware.com](mailto:emexit@teknoware.com)



## Emergency lighting for escape routes (ceiling mounting)

Table of 1 lux for escape routes in the middle line according to the norm EN 1838.

Level of measurement 0,02 m, measurement result with battery operation.



R1 distance from wall (X axis)

R2 installation distance between lights (X axis)

R4 distance from wall (Y axis)

TWT1453WA

Mounting height (m)	Below the light lux	R1 (m)	R2 (m)	R4 (m)
		1 lux	1 lux	1 lux
2,5	7,5	9	21	1
4	3	10	28	1
6	1,5	9	22	1

## OPTIONAL ACCESSORIES:

## OTHER ACCESSORIES FOR EMERGENCY LIGHTS



Product Code	Product Name	Compatible Product Groups
TMT389	Gasket ring TMT389	Linespot II: Lowbay, Recess-Mounted Emergency Lights, Zonespot II: Lowbay, Recess-Mounted Emergency Lights

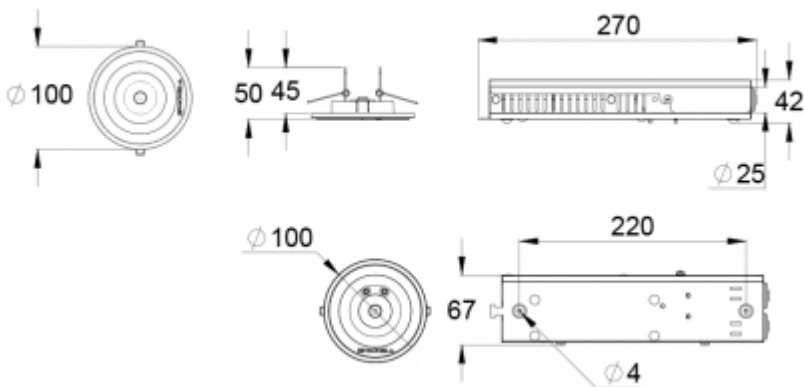
We reserve the rights to make modifications without notice.

Copyright © 2024 Teknoware. All rights reserved.

Date: July 16, 2024 | Source: [teknoware.com/en/emergency-lighting-1/linespot-ii-lowbay-emergency-light-twt1453wa](https://www.teknoware.com/en/emergency-lighting-1/linespot-ii-lowbay-emergency-light-twt1453wa)



Teknoware Oy | P.O. Box 19, 15101 Lahti | Ilmarisentie 8, 15200 Lahti Finland  
Tel +358 3 883 020 | VAT-number FI01494751 | [teknoware.com](https://www.teknoware.com) | [emexit@teknoware.com](mailto:emexit@teknoware.com)



We reserve the rights to make modifications without notice.

Copyright © 2024 Teknoware. All rights reserved.

Date: July 16, 2024 | Source: [teknoware.com/en/emergency-lighting-1/linespot-ii-lowbay-emergency-light-twt1453wa](https://teknoware.com/en/emergency-lighting-1/linespot-ii-lowbay-emergency-light-twt1453wa)

Teknoware Oy | P.O. Box 19, 15101 Lahti | Ilmarisentie 8, 15200 Lahti Finland

Tel +358 3 883 020 | VAT-number FI01494751 | [teknoware.com](https://teknoware.com) | [emexit@teknoware.com](mailto:emexit@teknoware.com)

