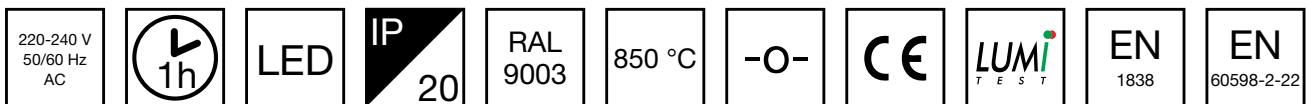


SLIMSPOT II LINE MIDBAY EMERGENCY LIGHT TWT1152WM



Self-contained emergency light with 1 h battery and Lumi Test self-testing

Slimspot II is a recessed emergency light that is effective and seamless. It has an elegant and minimalist appearance, so it blends in with the surroundings and architecture. The broad Slimspot II product family and range of optics offers many options to suit a variety of applications and systems. Slimspot II is designed for indoor lighting, and it has durable metal framing. The standard colour of the luminaire is white. On request, it is also possible to order Slimspot II in black and grey to match the surrounding environment.

The Slimspot II Line Midbay provides a long and narrow pattern that illuminates escape routes

We reserve the rights to make modifications without notice.
Copyright © 2024 Teknoware. All rights reserved.
Date: August 14, 2024 | Source: teknoware.com/en/slimspot-ii-line-midbay-emergency-light-twt1152wm



Teknoware Oy | P.O. Box 19, 15101 Lahti | Ilmarisentie 8, 15200 Lahti Finland
Tel +358 3 883 020 | VAT-number FI01494751 | teknoware.com | emexit@teknoware.com

efficiently.

We reserve the rights to make modifications without notice.
Copyright © 2024 Teknoware. All rights reserved.
Date: August 14, 2024 | Source: teknoware.com/en/slimspot-ii-line-midbay-emergency-light-twt1152wm

Teknoware Oy | P.O. Box 19, 15101 Lahti | Ilmarisentie 8, 15200 Lahti Finland
Tel +358 3 883 020 | VAT-number FI01494751 | teknoware.com | emexit@teknoware.com



Product Code	TWT1152WM
Feature	Lumi Test
Mounting (standard)	recess
Customs Code	94056080
GTIN Code	6438045023625
ETIM Product Class	EC001957
Length	90 mm
Width	90 mm
Height	47 mm
Weight	0.6 kg
Backup	1 h
Max Input Power VA	3 VA
Nominal Supply Voltage	220-240 V, 50/60 Hz AC
Protection Class	I
IP Class	IP20
Temperature Range Min - Max	0...+35 °C
Glow Wire Test of Plastic Materials	850 °C
Light Source	LED
Body Material	metal
Aperture for Recess Mounting	ø75 mm
Colour	RAL9003
Electrical Installation	3 x 2,5 mm ²
Luminous Flux	265 lm

Emergency lighting for escape routes (ceiling mounting)

Table of 1 lux for escape routes in the middle line according to the norm EN 1838.

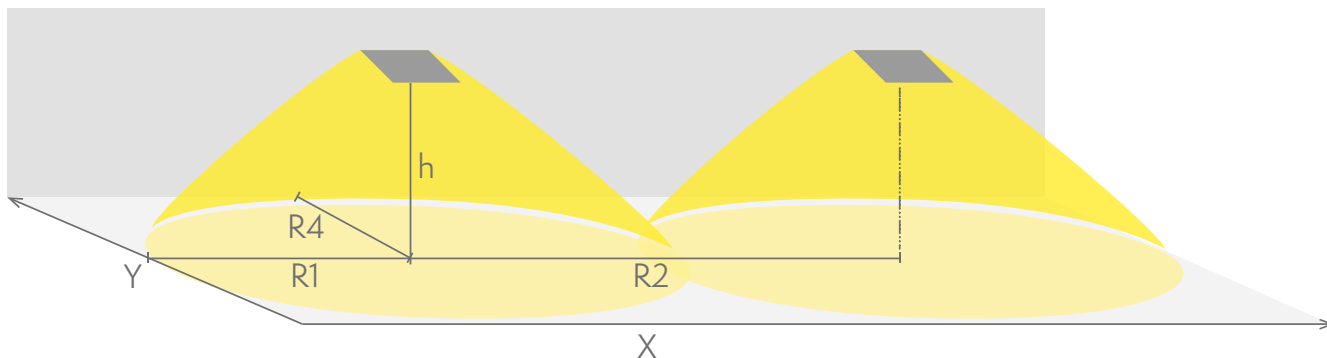
Level of measurement 0,02 m, measurement result with battery operation.

We reserve the rights to make modifications without notice.

Copyright © 2024 Teknoware. All rights reserved.

Date: August 14, 2024 | Source: teknoware.com/en/slimspot-ii-line-midbay-emergency-light-twt1152wm

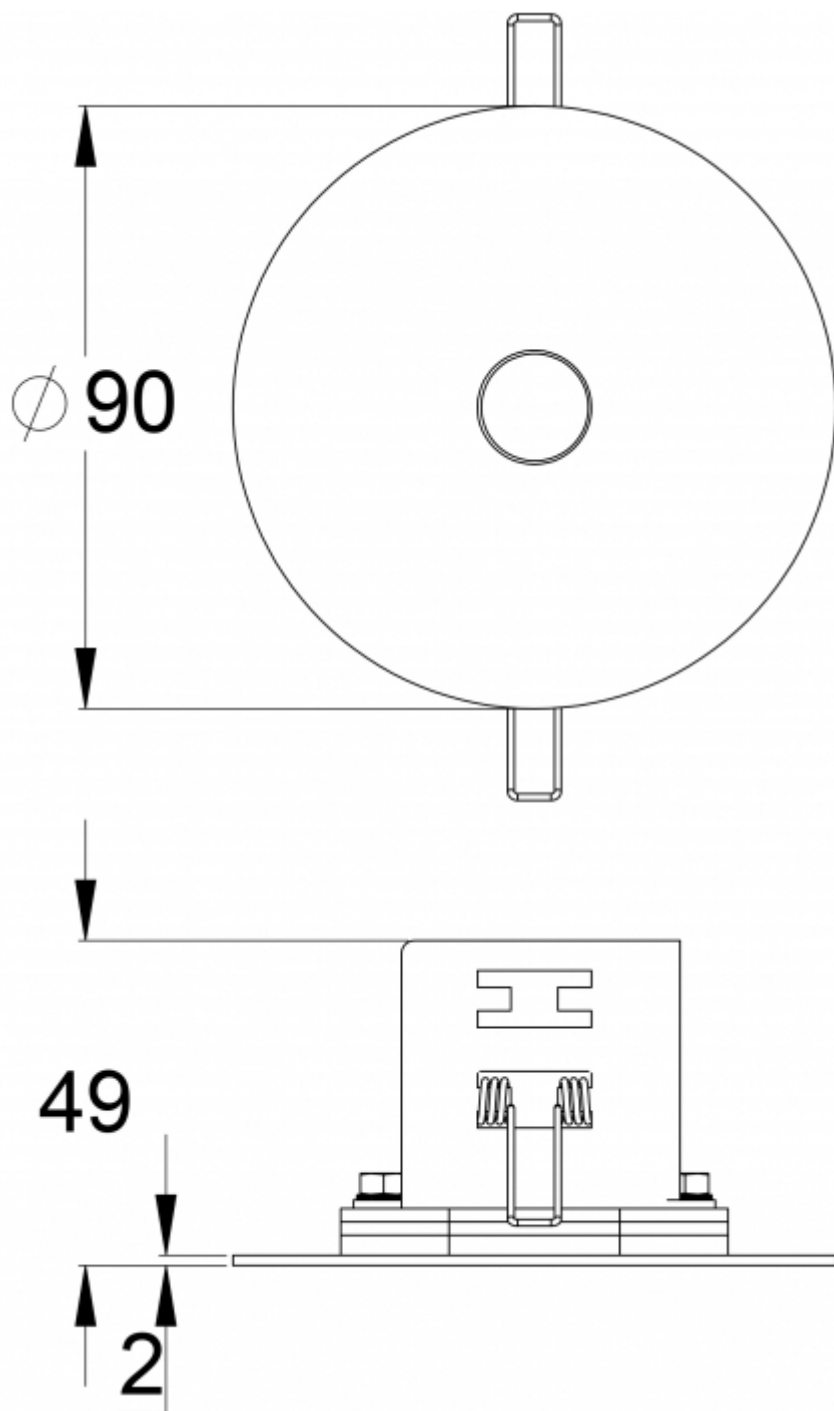




R1 distance from wall (X axis)
 R2 installation distance between lights (X axis)
 R4 distance from wall (Y axis)

TWT1152WM

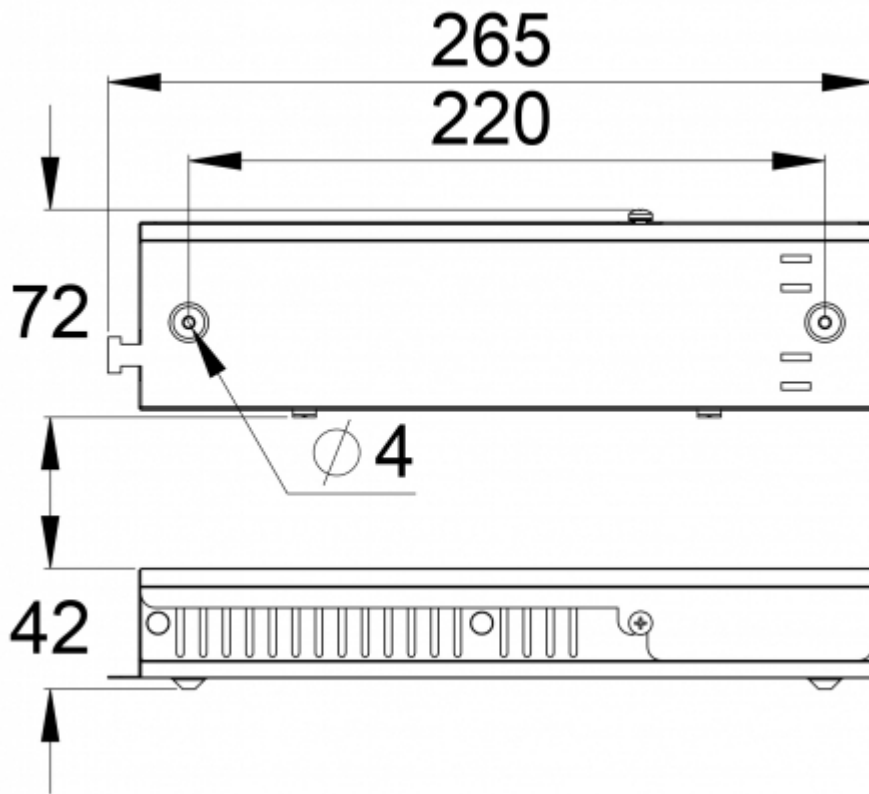
Mounting height (m)	Below the light lux	R1 (m)	R2 (m)	R4 (m)
		1 lux	1 lux	1 lux
2,5	40	5	11	1
4	15	6.5	17	1
6	6	7.5	20	1
8	3.5	7	21	1
10	2	6.5	21	1



We reserve the rights to make modifications without notice.
Copyright © 2024 Teknoware. All rights reserved.
Date: August 14, 2024 | Source: teknoware.com/en/slimspot-ii-line-midbay-emergency-light-twt1152wm



Teknoware Oy | P.O. Box 19, 15101 Lahti | Ilmarisentie 8, 15200 Lahti Finland
Tel +358 3 883 020 | VAT-number FI01494751 | teknoware.com | emexit@teknoware.com



We reserve the rights to make modifications without notice.
Copyright © 2024 Teknoware. All rights reserved.
Date: August 14, 2024 | Source: teknoware.com/en/slimspot-ii-line-midbay-emergency-light-twt1152wm

Teknoware Oy | P.O. Box 19, 15101 Lahti | Ilmarisentie 8, 15200 Lahti Finland
Tel +358 3 883 020 | VAT-number FI01494751 | teknoware.com | emexit@teknoware.com

