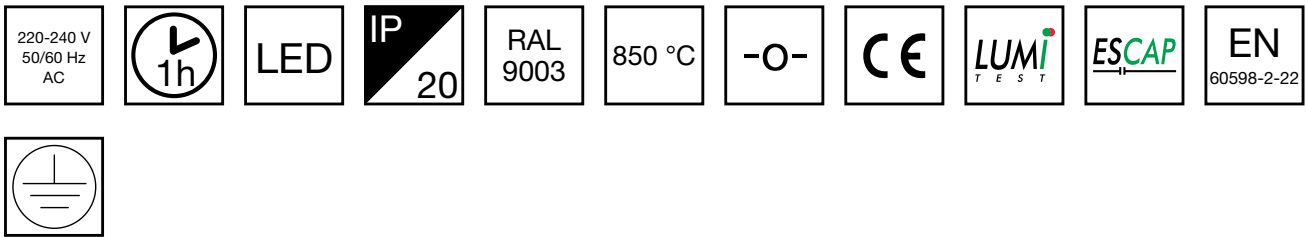


# SLIMSPOT LED EMERGENCY LIGHT TWS9792WM4



## Self-contained ESCAP Emergency Light with 1 h Super Capacitor and Lumi Test Self-testing

Slimspot is a recessed LED emergency light, which, thanks to its compact size and straight-line design blends seamlessly into the roof structure. The luminaires do not therefore stand out from the area's architecture.

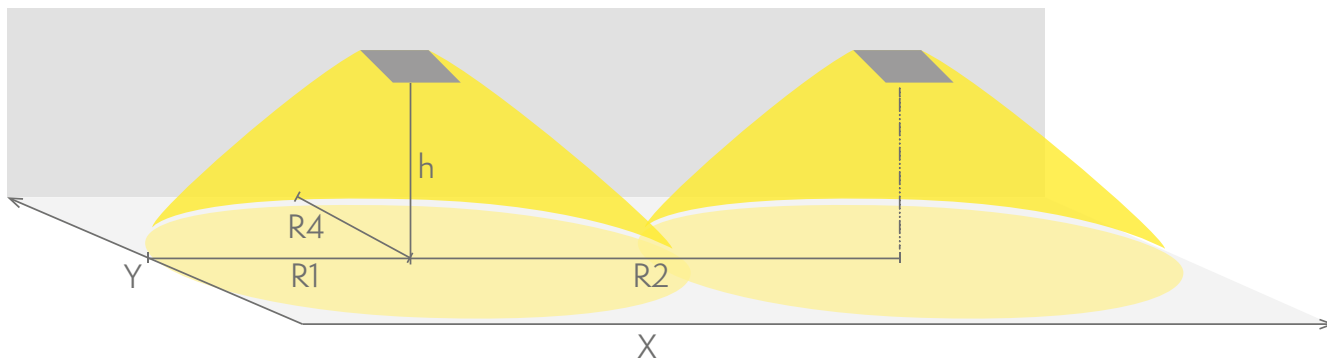
Slimspot uses the latest LED technology and is an energy efficient emergency light. The optics have been designed in such a way, that the LED luminaire does not have a disturbing bright central point of light. In this model the electronics and capacitors are in the same casing.

Product Code	TWS9792WM4
Feature	Escap, Lumi Test
Mounting (standard)	recess
GTIN Code	6438045024486
ETIM Product Class	EC001957
Length	100 mm
Width	100 mm
Height	50 mm
Weight	0,8 kg
Backup	1 h
Max Input Power VA	3 VA
Nominal Supply Voltage	220-240 V, 50/60 Hz AC
Protection Class	I
IP Class	IP20
Temperature Range Min - Max	-25...+35 °C
Glow Wire Test of Plastic Materials	850 °C
Light Source	LED
Body Material	metal
Aperture for Recess Mounting	ø75 mm
Colour	RAL9003
Electrical Installation	3 x 2,5 mm <sup>2</sup>
Luminous Flux	60 lm

## Emergency lighting for escape routes (ceiling mounting)

Table of 1 lux for escape routes in the middle line according to the norm EN 1838.

Level of measurement 0,02 m, measurement result with battery operation.



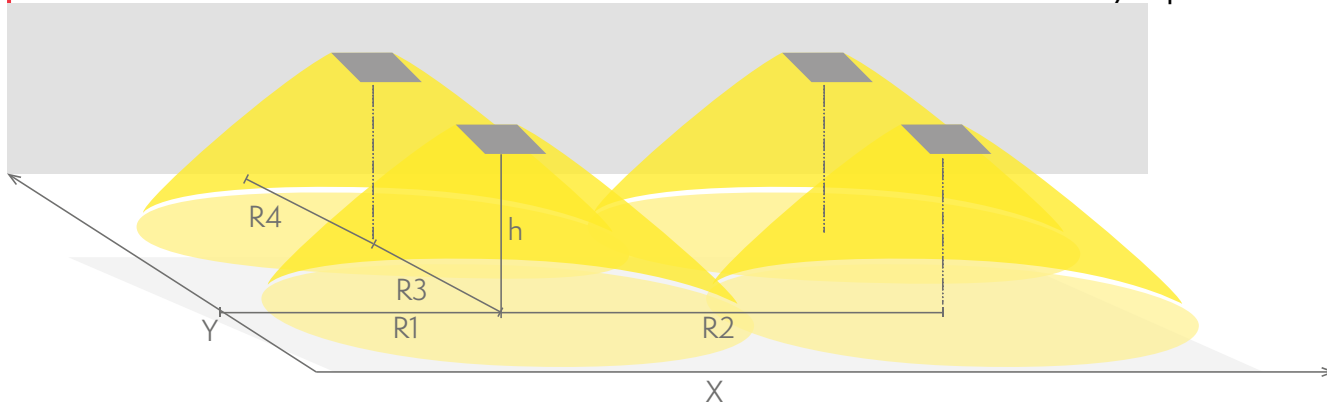
- R1 distance from wall (X axis)
- R2 installation distance between lights (X axis)
- R4 distance from wall (Y axis)

### TWS9792WM4

Mounting height (m)	Below the light lux	R1 (m)	R2 (m)	R4 (m)
		1 lux	1 lux	1 lux
2,5	3,4	1,8	5,5	1,8
3	2,5	1,8	5,5	1,8
4	1,5	1,5	5,5	1,5

## Emergency lighting for open areas (ceiling mounting)

Table of 0,5 lux for open areas according to the norm EN 1838, 0,5 m edge district is considered in the table.  
 Level of measurement 0,02 m, measurement result with battery operation.



- R1 distance from wall (X axis)
- R2 installation distance between lights (X axis)
- R3 installation distance between lights (Y axis)
- R4 distance from wall (Y axis)

### TWS9792WM4

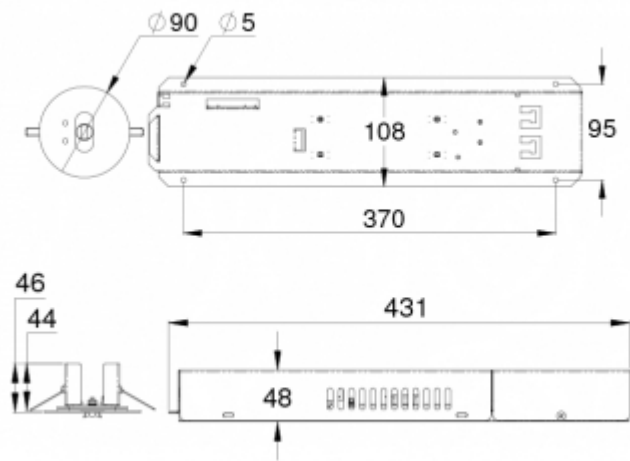
Mounting height (m)	Below the light lux	R1 (m)	R2 (m)	R3 (m)	R4 (m)
		0,5 lux	0,5 lux	0,5 lux	0,5 lux

We reserve the rights to make modifications without notice.  
 Copyright © 2024 Teknoware. All rights reserved.  
 Date: August 14, 2024 | Source: [teknoware.com/en/emergency-lighting/slimspot-led-emergency-light-tws9792wm4](https://www.teknoware.com/en/emergency-lighting/slimspot-led-emergency-light-tws9792wm4)



Mounting height (m)	Below the light lux	R1 (m)	R2 (m)	R3 (m)	R4 (m)
2,5	3,4	2,5	6,5	6,5	2,5
3	2,5	2,7	6,5	6,5	2,7
4	1,5	3	7	7	3

---



We reserve the rights to make modifications without notice.  
Copyright © 2024 Teknoware. All rights reserved.  
Date: August 14, 2024 | Source: [teknoware.com/en/emergency-lighting/slimspot-led-emergency-light-tws9792wm4](https://teknoware.com/en/emergency-lighting/slimspot-led-emergency-light-tws9792wm4)

Teknoware Oy | P.O. Box 19, 15101 Lahti | Ilmarisentie 8, 15200 Lahti Finland  
Tel +358 3 883 020 | VAT-number FI01494751 | [teknoware.com](https://teknoware.com) | [emexit@teknoware.com](mailto:emexit@teknoware.com)

