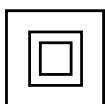
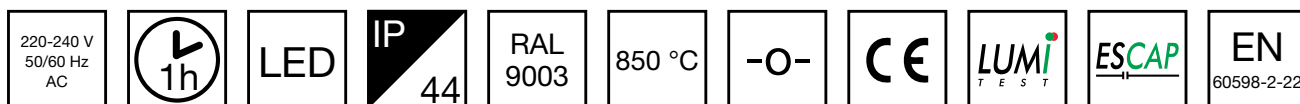


LINESPOT II MIDBAY EMERGENCY LIGHT TWS8892WM



Self-contained Escap Emergency light with 1 h Super Capacitor and Lumi Test Self-testing

The Linespot II Midbay is a surface-mounted emergency light. The luminaire's optics are designed to provide a long and narrow light pattern that illuminates corridors and escape routes efficiently.

Thanks to the IP44 enclosure class, the Linespot II is also suitable for damp areas. The luminaire is easy and fast to install, thanks to a separate mounting base, which is also connected to the power supply.

We reserve the rights to make modifications without notice.
Copyright © 2024 Teknoware. All rights reserved.
Date: August 14, 2024 | Source: [teknoware.com/en/emergency-lighting-1/linespot-ii-midbay-emergency-light-tws8892wm](https://www.teknoware.com/en/emergency-lighting-1/linespot-ii-midbay-emergency-light-tws8892wm)



Teknoware Oy | P.O. Box 19, 15101 Lahti | Ilmarisentie 8, 15200 Lahti Finland
Tel +358 3 883 020 | VAT-number FI01494751 | [teknoware.com](https://www.teknoware.com) | emexit@teknoware.com

INDIVIDUALLY PACKED LIGHTS

Product Code
Y8892WM

Product Code	TWS8892WM
Feature	Escap, Lumi Test
Mounting (standard)	surface
Mounting (optional)	pendel
Customs Code	94056080
GTIN Code	6438045019475
ETIM Product Class	EC001957
Length	180 mm
Width	50 mm
Height	180 mm
Weight	0,9 kg
Backup	1 h
Max Input Power VA	3 VA
Nominal Supply Voltage	220-240 V, 50/60 Hz AC
Protection Class	II
IP Class	IP44
Temperature Range Min - Max	-25...+35 °C
Glow Wire Test of Plastic Materials	850 °C
Light Source	LED
Body Material	plastic
Colour	RAL9003
Electrical Installation	2/3 x 2,5 mm ²

We reserve the rights to make modifications without notice.

Copyright © 2024 Teknoware. All rights reserved.

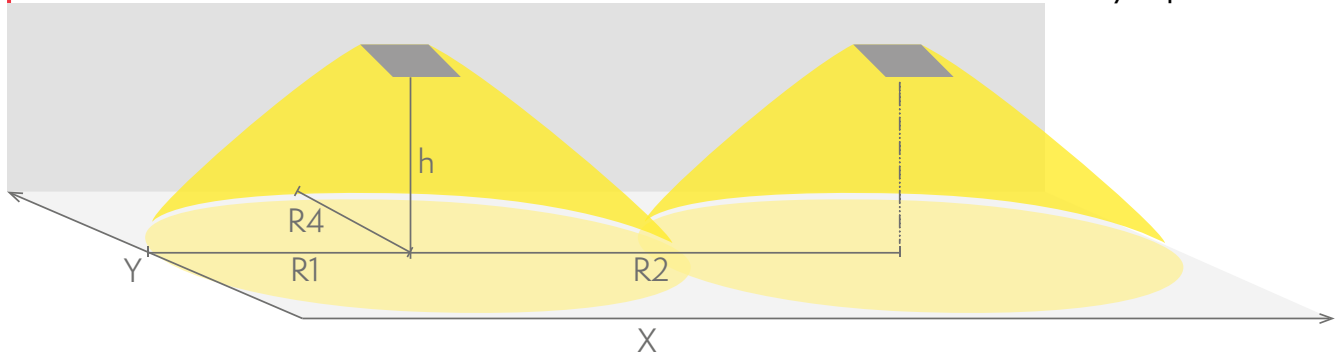
Date: August 14, 2024 | Source: teknoware.com/en/emergency-lighting-1/linespot-ii-midbay-emergency-light-tws8892wm



Emergency lighting for escape routes (ceiling mounting)

Table of 1 lux for escape routes in the middle line according to the norm EN 1838.

Level of measurement 0,02 m, measurement result with battery operation.



R1 distance from wall (X axis)

R2 installation distance between lights (X axis)

R4 distance from wall (Y axis)

TWS8892WM

Mounting height (m)	Below the light lux	R1 (m)	R2 (m)	R4 (m)
		1 lux	1 lux	1 lux
2,5	11	3,5	8	1
3	8	3,5	9	1
4	4,5	4	10	1
6	2	4	11	1
8	1,1	3	11	1

OPTIONAL ACCESSORIES:

SHOCK PROTECTING COVERS FOR EMERGENCY LIGHTS



Product Code	Product Name	Compatible Product Groups
TW77507B	Shock protecting cover TW77507B	ESC 10 Emergency Exit Lights, ESC 80 Emergency Exit Lights

We reserve the rights to make modifications without notice.

Copyright © 2024 Teknoware. All rights reserved.

Date: August 14, 2024 | Source: [teknoware.com/en/emergency-lighting-1/linespot-ii-midbay-emergency-light-tws8892wm](https://www.teknoware.com/en/emergency-lighting-1/linespot-ii-midbay-emergency-light-tws8892wm)



Teknoware Oy | P.O. Box 19, 15101 Lahti | Ilmarisentie 8, 15200 Lahti Finland
Tel +358 3 883 020 | VAT-number FI01494751 | [teknoware.com](https://www.teknoware.com) | emexit@teknoware.com

OPTIONAL MOUNTING ACCESSORIES FOR EMERGENCY LIGHTS

We reserve the rights to make modifications without notice.

Copyright © 2024 Teknoware. All rights reserved.

Date: August 14, 2024 | Source: teknoware.com/en/emergency-lighting-1/linespot-ii-midbay-emergency-light-tws8892wm

Teknoware Oy | P.O. Box 19, 15101 Lahti | Ilmarisentie 8, 15200 Lahti Finland
Tel +358 3 883 020 | VAT-number FI01494751 | teknoware.com | emexit@teknoware.com



Product Code	Product Name	Compatible Product Groups
TWT9202	Wall bracket TWT9202	Linespot II: Lowbay, Surface-Mounted Emergency Lights, Zonespot II: Lowbay, Surface-Mounted Emergency Lights, Zonespot II: Midbay, Surface-Mounted Emergency Lights, Safe 29 Emergency Lights, Linespot II: Midbay, Surface-Mounted Emergency Lights, Zonespot II: Highbay, Surface-Mounted Emergency Lights
TW77504F	Suspension bracket TW77504F	Linespot II: Lowbay, Surface-Mounted Emergency Lights, Zonespot II: Lowbay, Surface-Mounted Emergency Lights, Zonespot II: Midbay, Surface-Mounted Emergency Lights, Linespot II: Midbay, Surface-Mounted Emergency Lights, Zonespot II: Highbay, Surface-Mounted Emergency Lights

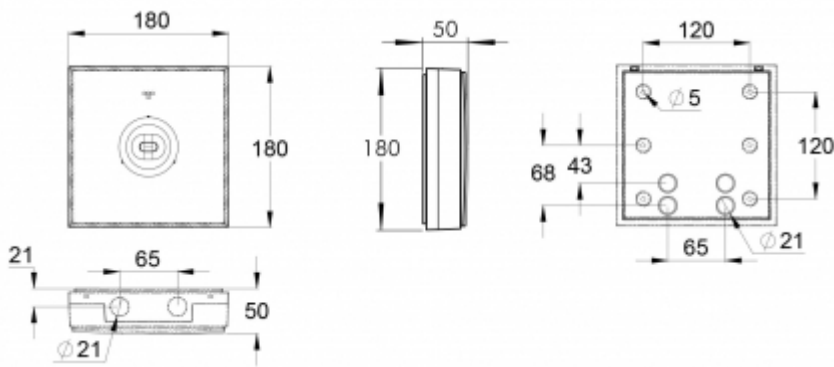
We reserve the rights to make modifications without notice.

Copyright © 2024 Teknoware. All rights reserved.

Date: August 14, 2024 | Source: teknoware.com/en/emergency-lighting-1/linespot-ii-midbay-emergency-light-tws8892wm



Teknoware Oy | P.O. Box 19, 15101 Lahti | Ilmarisentie 8, 15200 Lahti Finland
Tel +358 3 883 020 | VAT-number FI01494751 | teknoware.com | emexit@teknoware.com



We reserve the rights to make modifications without notice.

Copyright © 2024 Teknoware. All rights reserved.

Date: August 14, 2024 | Source: teknoware.com/en/emergency-lighting-1/linespot-ii-midbay-emergency-light-tws8892wm



Teknoware Oy | P.O. Box 19, 15101 Lahti | Ilmarisentie 8, 15200 Lahti Finland

Tel +358 3 883 020 | VAT-number FI01494751 | teknoware.com | emexit@teknoware.com