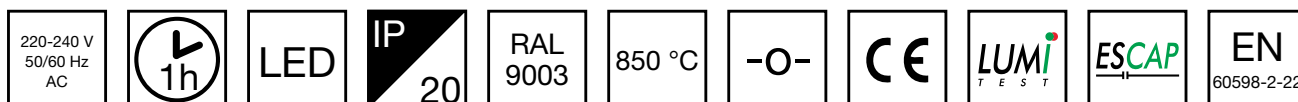


ZONESPOT II LOWBAY EMERGENCY LIGHT TWS0492WM



Self-contained Escap Emergency light with 1 h Super Capacitor and Lumi Test Self-testing

The Zonespot II Lowbay is a small and elegant emergency light, for recess mounting. It is specially designed for illuminating open areas. Zonespot II Lowbay takes advantage of the latest LED technology.

We reserve the rights to make modifications without notice.

Copyright © 2024 Teknoware. All rights reserved.

Date: August 14, 2024 | Source: teknoware.com/en/emergency-lighting-1/zonespot-ii-lowbay-emergency-light-tws0492wm

Teknoware Oy | P.O. Box 19, 15101 Lahti | Ilmarisentie 8, 15200 Lahti Finland
Tel +358 3 883 020 | VAT-number FI01494751 | teknoware.com | emexit@teknoware.com



INDIVIDUALLY PACKED LIGHTS

Product Code
Y0492WM

Product Code	TWS0492WM
Feature	Escap, Lumi Test
Mounting (standard)	recess
Customs Code	94056080
GTIN Code	6438045019079
ETIM Product Class	EC001957
Length	100 mm
Width	100 mm
Height	50 mm
Weight	0,8 kg
Backup	1 h
Max Input Power VA	3 VA
Nominal Supply Voltage	220-240 V, 50/60 Hz AC
Protection Class	I
IP Class	IP20
Temperature Range Min - Max	-25...+35 °C
Glow Wire Test of Plastic Materials	850 °C
Light Source	LED
Body Material	plastic
Aperture for Recess Mounting	ø75 mm
Colour	RAL9003
Electrical Installation	3 x 2,5 mm ²

We reserve the rights to make modifications without notice.

Copyright © 2024 Teknoware. All rights reserved.

Date: August 14, 2024 | Source: teknoware.com/en/emergency-lighting-1/zonespot-ii-lowbay-emergency-light-tws0492wm

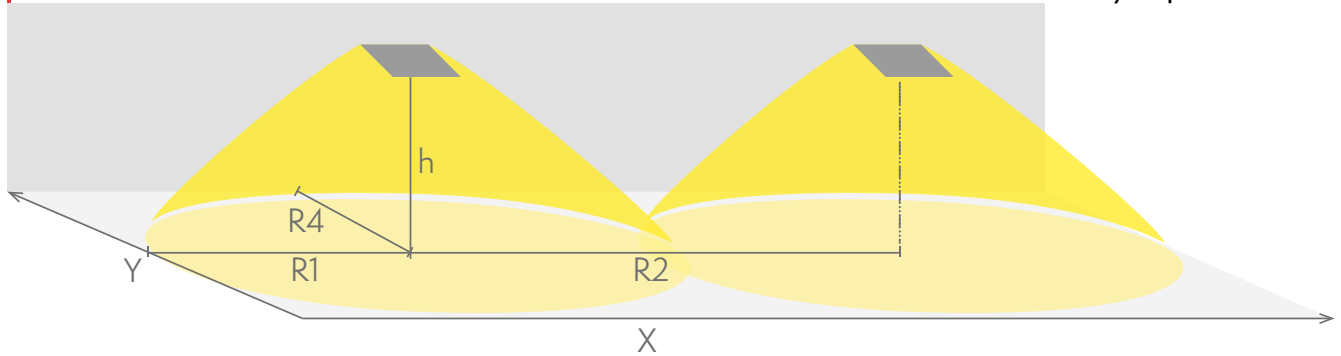
Teknoware Oy | P.O. Box 19, 15101 Lahti | Ilmarisentie 8, 15200 Lahti Finland
Tel +358 3 883 020 | VAT-number FI01494751 | teknoware.com | emexit@teknoware.com



Emergency lighting for escape routes (ceiling mounting)

Table of 1 lux for escape routes in the middle line according to the norm EN 1838.

Level of measurement 0,02 m, measurement result with battery operation.



R1 distance from wall (X axis)

R2 installation distance between lights (X axis)

R4 distance from wall (Y axis)

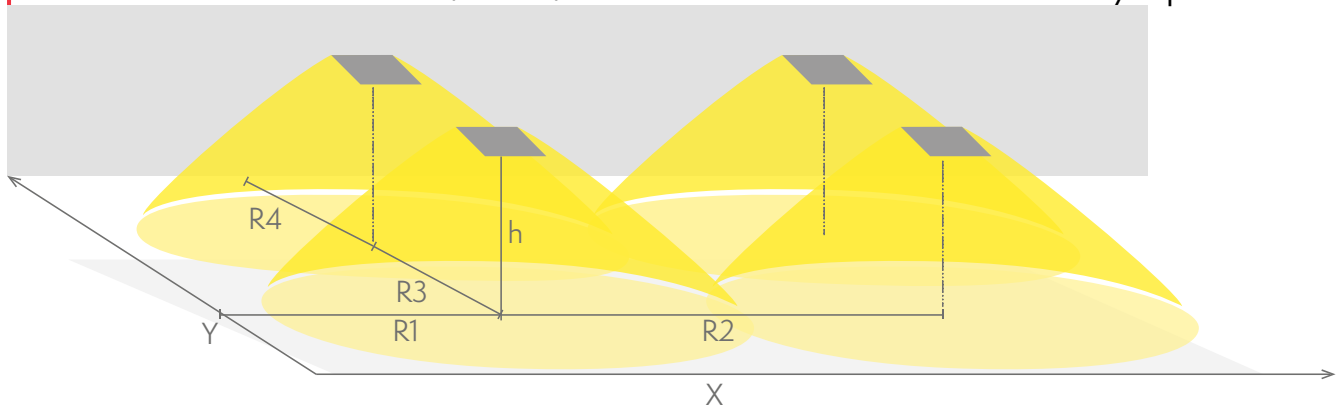
TWS0492WM

Mounting height (m)	Below the light lux	R1 (m)	R2 (m)	R4 (m)
		1 lux	1 lux	1 lux
2,5	1,5	3	7	3

Emergency lighting for open areas (ceiling mounting)

Table of 0,5 lux for open areas according to the norm EN 1838, 0,5 m edge district is considered in the table.

Level of measurement 0,02 m, measurement result with battery operation.



R1 distance from wall (X axis)

R2 installation distance between lights (X axis)

We reserve the rights to make modifications without notice.

Copyright © 2024 Teknoware. All rights reserved.

Date: August 14, 2024 | Source: teknoware.com/en/emergency-lighting-1/zonespot-ii-lowbay-emergency-light-tws0492wm



R3 installation distance between lights (Y axis)
R4 distance from wall (Y axis)
TWS0492WM

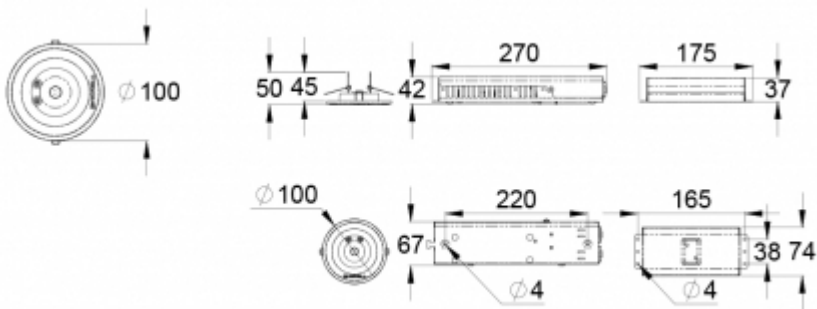
Mounting height (m)	Below the light lux	R1 (m)	R2 (m)	R3 (m)	R4 (m)
		0,5 lux	0,5 lux	0,5 lux	0,5 lux
2,5	1,6	3	6,5	6,5	3
3	1,4	3	6,5	6,5	3

OPTIONAL ACCESSORIES:

OTHER ACCESSORIES FOR EMERGENCY LIGHTS



Product Code	Product Name	Compatible Product Groups
TMT389	Gasket ring TMT389	Linespot II: Lowbay, Recess-Mounted Emergency Lights, Zonespot II: Lowbay, Recess-Mounted Emergency Lights



We reserve the rights to make modifications without notice.
Copyright © 2024 Teknoware. All rights reserved.
Date: August 14, 2024 | Source: teknoware.com/en/emergency-lighting-1/zonespot-ii-lowbay-emergency-light-tws0492wm

Teknoware Oy | P.O. Box 19, 15101 Lahti | Ilmarisentie 8, 15200 Lahti Finland
Tel +358 3 883 020 | VAT-number FI01494751 | teknoware.com | emexit@teknoware.com

